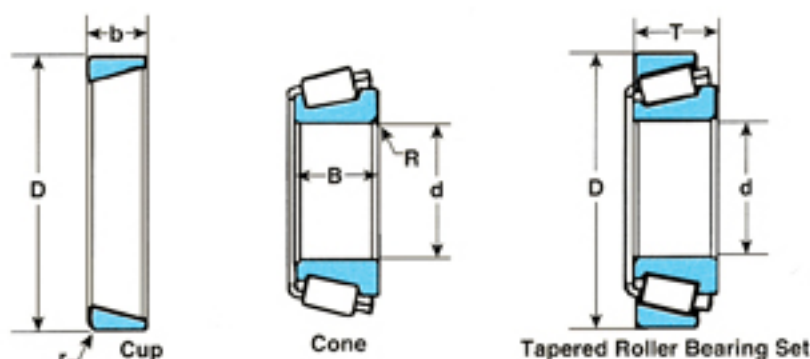


TAPERED ROLLER BEARINGS

INCH SERIES



Cone No.	d in. mm	B in. mm	Max. shaft fillet radius R in./mm	Cup No.	D in. mm	b in. mm	Max. Hsg. fillet radius r in./mm	T in. mm	Basic Load Ratings	
									Dynamic C (lbs.)	Static C ₀ (lbs.)
A6067	0.669 16.993	0.4391 11.1530	0.03 0.80	A6157	1.5745 39.9920	0.375 9.525	0.05 1.30	0.473 12.014	3360	3530
A6075	0.750 19.050	0.4391 11.1530	0.04 1.00	A6157	1.5745 39.992	0.375 9.525	0.05 1.30	0.473 12.014	3360	3530
A6075	0.750 19.050	0.4391 11.1530	0.04 1.00	A6162	1.625 41.275	0.3437 8.7300	0.05 1.30	0.4687 11.9050	3360	3530
567	2.870 73.020	1.424 36.170	0.14 3.50	563	5.000 127.000	1.125 28.575	0.13 3.30	1.4375 36.5120	33000	31500
663	3.250 82.550	1.625 41.275	0.14 3.50	652	6.000 152.400	1.250 31.750	0.13 3.30	1.625 41.275	41500	41000
663	3.250 82.550	1.625 41.275	0.14 3.50	653	5.750 146.050	1.250 31.750	0.13 3.30	1.625 41.275	41500	41000
683	3.750 95.250	1.625 41.275	0.14 3.50	672	6.625 168.275	1.1875 30.1620	0.13 3.30	1.625 41.275	45000	47000
02475	1.250 31.750	0.875 22.225	0.14 3.50	02420	2.6875 68.2620	0.6875 17.4620	0.06 1.50	0.875 22.225	11500	9450
02476	1.250 31.750	0.875 22.225	0.03 0.80	02420	2.6875 68.2620	0.6875 17.4620	0.06 1.50	0.875 22.225	11500	9450
05062	0.620 15.875	0.5662 14.3810	0.06 1.50	05185	1.8504 47.0000	0.4375 11.1120	0.05 1.30	0.5662 14.3810	4750	3400
05079*	0.7869 19.9870	0.5662 14.3810	0.06 1.50	05185	1.8504 47.0000	0.4375 11.1120	0.05 1.30	0.5662 14.3810	4750	3400
07087	0.875 22.225	0.5614 14.2600	0.05 1.30	07196	1.9687 50.0050	0.375 9.525	0.04 1.00	0.5313 13.4950	5200	3850
07093	0.875 22.225	0.5614 14.2600	0.05 1.30	07196	1.9687 50.0050	0.375 9.525	0.04 1.00	0.5313 13.4950	5200	3850
07093	0.9375 23.8120	0.5614 14.2600	0.06 1.50	07210X	2.000 50.800	0.500 12.700	0.06 1.50	0.591 15.011	5200	3850
07098	0.9835 24.9810	0.5614 14.2600	0.06 1.50	07196	1.9687 50.0050	0.375 9.525	0.04 1.00	0.5313 13.4950	5200	3850
07100	1.000 25.400	0.5614 14.2600	0.04 1.00	07196	1.9687 50.0050	0.375 9.525	0.04 1.00	0.5313 13.4950	5200	3850
09074	0.750 19.050	0.848 21.539	0.06 1.50	09195	1.938 49.225	0.5625 14.2880	0.05 1.30	0.7813 19.8450	7700	5650
09078	0.750 19.050	0.848 21.539	0.05 1.30	09195	1.938 49.225	0.5625 14.2880	0.05 1.30	0.7813 19.8450	7700	5650
09067	0.750 19.050	0.750 19.050	0.05 1.30	09196	1.938 49.225	0.6875 17.4625	0.06 1.50	0.835 21.209	7700	5650

*For standard class ONLY, the maximum metric size is a whole millimeter value.