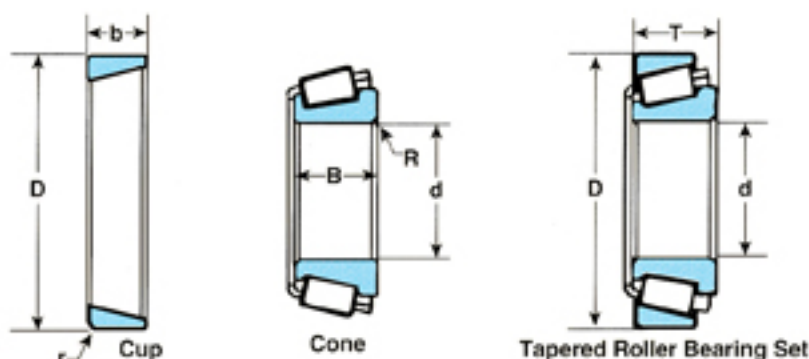


TAPERED ROLLER BEARINGS

INCH SERIES



Cone No.	d in. mm	B in. mm	Max. shaft fillet radius R in./mm	Cup No.	D in. mm	b in. mm	Max. Hsg. fillet radius r in./mm	T in. mm	Basic Load Ratings	
									Dynamic C (lbs.)	Static C ₀ (lbs.)
14118	1.1811 30.0000	0.756 19.202	0.03 0.80	14282	2.8345 71.9960	0.5918 15.0320	0.06 1.50	0.7481 19.0020	9700	8050
14124	1.250 31.750	0.771 19.583	0.03 0.80	14276	2.717 69.012	0.625 15.875	0.05 1.30	0.7813 19.8450	9700	8050
14124	1.250 31.750	0.771 19.583	0.03 0.80	14283	2.838 72.085	0.725 18.415	0.09 2.30	0.8813 22.3850	9700	8050
14125A	1.250 31.750	0.771 19.583	0.14 3.50	14276	2.717 69.012	0.625 15.875	0.05 1.30	0.7813 19.8450	9700	8050
14130	1.3125 33.3380	0.771 19.583	0.14 3.50	14276	2.717 69.012	0.625 15.875	0.50 1.30	0.7813 19.8450	9700	8050
14136A*	1.375 34.925	1.052 26.721	0.03 0.80	14276	2.717 69.012	0.625 15.875	0.50 1.30	1.0623 26.9820	9700	8050
15100	1.000 25.400	0.8125 20.6380	0.14 3.50	15243	2.4375 61.9120	0.5625 14.2880	0.08 2.00	0.750 19.050	9400	7600
15100	1.000 25.400	0.8125 20.6380	0.14 3.50	15245	2.4409 62.0000	0.5625 14.2880	0.05 1.30	0.750 19.050	9400	7600
15101	1.000 25.400	0.8125 20.6380	0.03 0.80	15243	2.4375 61.9120	0.5625 14.2880	0.08 2.00	0.750 19.050	9400	7600
15101	1.000 25.400	0.8125 20.6380	0.03 0.80	15244	2.4409 62.0000	0.625 15.875	0.05 1.30	0.8125 20.6380	9400	7600
15101	1.000 25.400	0.8125 20.6380	0.03 0.80	15245	2.4409 62.0000	0.5625 14.2880	0.05 1.30	0.750 19.050	9400	7600
15101	1.000 25.400	0.8125 20.6380	0.03 0.80	15250	2.500 63.500	0.625 15.875	0.05 1.30	0.8125 20.6380	9400	7600
15102	1.000 25.400	0.8125 20.6380	0.06 1.50	15245	2.4409 62.0000	0.5625 14.2880	0.05 1.30	0.750 19.050	9400	7600
15116	1.1855 30.1120	0.8125 20.6380	0.03 0.80	15243	2.4375 61.9120	0.5625 14.2880	0.08 2.00	0.750 19.050	9400	7600
15116	1.1855 30.1120	0.8125 20.6380	0.03 0.80	15244	2.4409 62.0000	0.625 15.875	0.05 1.30	0.8125 20.6380	9400	7600
15116	1.1855 30.1120	0.8125 20.6380	0.03 0.80	15245	2.4409 62.0000	0.5625 14.2880	0.05 1.30	0.750 19.050	9400	7600
15116	1.1855 30.1120	0.8125 20.6380	0.03 0.80	15250	2.500 63.500	0.625 15.875	0.05 1.30	0.8125 20.6380	9400	7600
15117	1.1805 29.9850	0.8125 20.6380	0.05 1.30	15243	2.4375 61.9120	0.5625 14.2880	0.08 2.00	0.750 19.050	9400	7600
15117	1.1805 29.9850	0.8125 20.6380	0.05 1.30	15244	2.4409 62.0000	0.625 15.875	0.05 1.30	0.8125 20.6380	9400	7600
15117	1.1806 29.9850	0.8125 20.6380	0.05 1.30	15245	2.4409 62.0000	0.5625 14.2880	0.05 1.30	0.750 19.050	9400	7600
15117	1.1805 29.9850	0.8125 20.6380	0.05 1.30	15250	2.500 63.500	0.625 15.875	0.05 1.30	0.8125 20.6380	9400	7600

*Extended shoulder on back face.