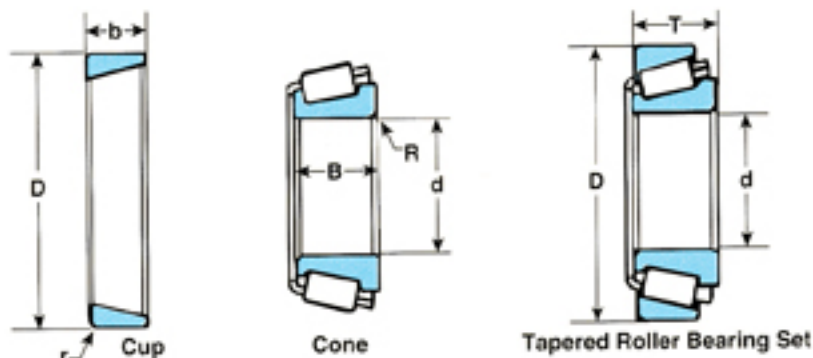


TAPERED ROLLER BEARINGS

INCH SERIES



Cone No.	d in. mm	B in. mm	Max. shaft fillet radius R in./mm	Cup No.	D in. mm	b in. mm	Max. Hsg. fillet radius r in./mm	T in. mm	Basic Load Ratings	
									Dynamic C (lbs.)	Static C ₀ (lbs.)
30306	1.1811 30.0000	0.748 19.000	0.06 1.50	30306	2.8346 72.0000	0.6299 16.0000	0.06 1.50	0.8169 20.7500	11900	11900
30307	1.378 35.000	0.8268 21.0000	0.06 2.00	30307	3.1496 80.0000	0.7087 18.0000	0.06 1.50	0.8957 22.7500	14700	15500
30310	1.9685 50.0000	1.063 27.000	0.10 2.50	30310	4.3307 110.0000	0.9055 23.0000	0.08 2.00	1.1516 29.2500	27100	31600
30317	3.3465 85.0000	1.6142 41.0000	0.16 4.00	30317	7.0666 180.0000	1.3386 34.0000	0.06 1.50	1.752 44.500	72200	79400
L44643	1.000 25.400	0.580 14.732	0.05 1.30	L44610	1.980 50.292	0.420 10.668	0.05 1.30	0.560 14.224	5520	6430
L44649*	1.0625 26.9880	0.580 14.732	0.14 3.50	L44610	1.980 50.292	0.420 10.668	0.05 1.30	0.560 14.224	5520	6430
L45449	1.1417 29.0000	0.580 14.732	0.14 3.50	L45410	1.980 50.292	0.420 10.668	0.05 1.30	0.560 14.224	5730	7530
L68149*	1.3775 34.9880	0.660 16.764	SPCL	L68110	2.328 59.131	0.470 11.938	0.05 1.30	0.625 15.875	7830	10500
L68149*	1.3775 34.9880	0.660 16.764	SPCL	L68111*	2.3612 59.9740	0.470 11.938	0.05 1.30	0.625 15.875	7080	9500
LM11749	0.6875 17.4620	0.575 14.605	0.05 1.30	LM11710	1.570 39.878	0.420 10.668	0.05 1.30	0.545 13.843	4730	4810
LM11949	0.750 19.050	0.655 16.637	0.05 1.30	LM11910	1.781 45.237	0.475 12.065	0.05 1.30	0.610 15.494	5730	5960
LM12749*	0.8656 21.9860	0.655 16.637	0.05 1.30	LM12710*	1.781 45.237	0.475 12.065	0.05 1.30	0.610 15.494	11000	13600
LM12749*	0.8656 21.9860	0.655 16.637	0.05 1.30	LM12711*	1.810 45.974	0.475 12.065	0.05 1.30	0.610 15.494	11000	13600
LM29748	1.500 38.100	0.720 18.288	SPCL	LM29710	2.5625 65.0880	0.550 13.970	0.05 1.30	0.710 18.034	8400	7450
LM48548	1.375 34.924	0.720 18.288	SPCL	LM48510	2.5625 65.088	0.550 13.970	0.05 1.30	0.710 18.034	9620	11900
LM67048	1.2500 31.750	0.660 16.764	SPCL	LM67010	2.3280 5.9131	0.465 11.811	0.05 1.30	0.625 15.875	7080	8580
LM102949	1.7812 45.2420	0.780 19.812	0.14 3.50	LM102910	2.891 73.431	0.620 15.748	0.03 0.80	0.770 19.558	10600	10000
LM104949	2.000 50.800	0.870 22.225	0.14 3.50	LM104911	3.250 82.550	0.650 16.510	0.05 1.30	0.850 21.590	14100	13000

*For standard class ONLY, the maximum metric size is a whole millimeter value.