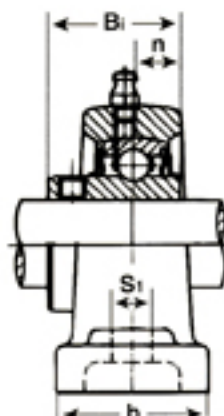
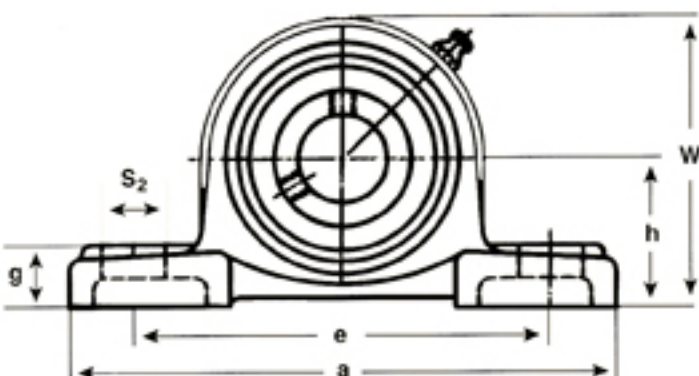
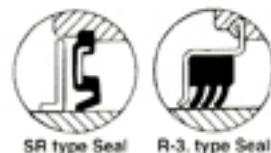


PILLOW BLOCKS

SET SCREW TYPE—HIGH CENTER HEIGHT

UCP200-SERIES



Shaft Dia. mm	Shaft Dia. in.	SST Unit No.	Dimensions (in.)										Bolt Used in.	Bearing No.	Housing No.	Weight	
			h	a	e	b	S ₂	S ₁	g	w	Bi	n				kg	lbs.
12	1/2	UCP201-8	1-3/16	5	3-3/4	1-1/2	3/4	1/2	15/32	2-3/8	1.2205	0.7205	3/8	UC201-8	P203	0.78	1.72
	5/8	UCP201-10												UC201-10			
	15	UCP201-20												UC201-20			
	17	UCP201-203												UC201-203			
20	3/4	UCP204-12	1-5/16	5	3-3/4	1-1/2	3/4	1/2	1/2	2-17/32	1.2205	0.7205	3/8	UC204-12	P204	0.66	1.46
	20	UCP204												UC204			
25	7/8	UCP205-14	1-7/16	5-1/2	4-1/8	1-1/2	3/4	1/2	1/2	2-25/32	1.3386	0.5630	3/8	UC205-14	P205	0.86	1.90
	15/16	UCP205-15												UC205-15			
	1	UCP205-16												UC205-16			
	25	UCP205												UC205			
30	1-1/16	UCP206-17	1-11/16	6-1/2	4-3/4	1-7/8	13/16	21/32	19/32	3-5/16	1.5000	0.5260	1/2	UC206-17	P206	1.41	3.11
	1-1/8	UCP206-18												UC206-18			
	1-3/16	UCP206-19												UC206-19			
	1-1/4	UCP206-20												UC206-20			
	30	UCP206												UC206			
35	1-1/4	UCP207-20	1-7/8	6-9/16	5	1-7/8	13/16	21/32	5/8	3-21/32	1.6890	0.6890	1/2	UC207-20	P207	1.66	3.66
	1-5/16	UCP207-21												UC207-21			
	1-3/8	UCP207-22												UC207-22			
	1-7/16	UCP207-23												UC207-23			
	35	UCP207												UC207			
40	1-1/2	UCP208-24	1-15/16	7-1/4	5-13/32	2-1/8	13/6	21/32	21/32	3-27/32	1.9370	0.7460	1/2	UC208-24	P208	2.12	4.67
	1-9/16	UCP208-25												UC208-25			
	40	UCP208												UC208			
45	1-5/8	UCP209-26	2-1/8	7-15/32	5-3/4	2-1/8	13/16	21/32	21/32	4-3/16	1.9370	0.7480	1/2	UC209-26	P209	2.40	5.29
	1-11/16	UCP209-27												UC209-27			
	1-3/4	UCP209-28												UC209-28			
	45	UCP209												UC209			
50	1-7/8	UCP210-30	2-1/4	8-1/8	6-1/4	2-3/8	7/8	25/32	3/4	4-7/16	2.0315	0.7480	5/8	UC210-30	P210	2.94	6.48
	1-15/16	UCP210-31												UC210-31			
	50	UCP210												UC210			
55	2	UCP211-32	2-1/2	8-5/8	6-23/32	2-3/8	7/8	25/32	3/4	4-29/32	2.1890	0.8740	5/8	UC211-32	P211	3.66	8.07
	2-1/8	UCP211-34												UC211-34			
	2-3/16	UCP211-35												UC211-35			
	55	UCP211												UC211			
60	2-1/4	UCP212-36	2-3/4	9-1/2	7-1/4	2-3/4	1	25/32	7/8	5-7/16	2.5630	1.0000	5/8	UC212-36	P212	5.15	11.3
	2-3/8	UCP212-38												UC212-38			
	2-7/16	UCP212-39												UC212-39			
	60	UCP212												UC212			
65	2-1/2	UCP213-40	3	10-7/16	8	2-3/4	1-3/16	1	1	5-29/32	2.5630	1.0000	3/4	UC213-40	P213	6.10	13.4
	65	UCP213												UC213			
70	2-3/4	UCP214-44	3-1/8	10-15/32	8-9/32	2-27/32	1-3/16	1	1-3/32	6-5/32	2.9370	1.1890	3/4	UC214-44	P214	6.90	15.2
	70	UCP214												UC214			
75	2-15/16	UCP215-47	3-1/4	10-13/16	8-17/32	2-29/32	1-3/16	1	1-3/32	6-3/8	3.0630	1.3110	3/4	UC215-47	P215	7.85	17.3
	3	UCP215-48												UC215-48			
75	3	UCP215												UC215			

Note: Grease fittings can be positioned on pillow blocks at 90° upon request