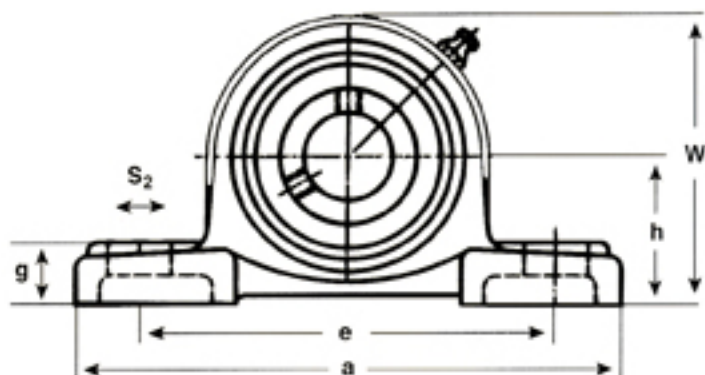
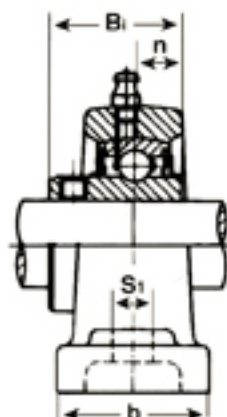
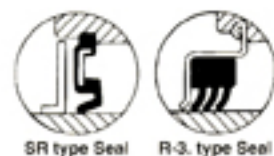


PILLOW BLOCKS



UCAK200-SERIES

SET SCREW TYPE—LOW CENTER HEIGHT



Shaft Dia. mm in.	SST Unit No.	Dimensions (in.)										Bolt Used in.	Bearing No.	Housing No.	Weight		
		h	a	e	b	S ₂	S ₁	g	w	Bi	n				kg	lbs.	
12	1/2	UCAK201-8	1-1/4	5-1/4	3-7/8	1-5/8	9/16	7/16	9/16	2-1/2	1.2205	0.7205	3/8	UC201-8	AK204	0.85	1.87
	5/8													202-10			
	3/4													204-12			
														UC201			
														202			
15		203															
17		204															
20																	
25	7/8	UCAK205-14	1-5/16	5-1/2	4-1/8	1-3/4	9/16	7/16	5/8	2-11/16	1.3386	0.5630	3/8	UC205-14	AK205	1.00	2.20
	15/16													205-15			
	1													205-16			
														UC205			
30	1-1/16	UCAK206-17	1-9/16	6-5/16	4-3/4	1-7/8	3/4	9/16	11/16	3-5/32	1.5000	0.6260	1/2	UC206-17	AK206	1.40	3.09
	1-1/8													206-18			
	1-3/16													206-19			
	1-1/4													206-20			
														UC206			
35	1-1/4	UCAK207-20	1-13/16	6-9/16	5	1-7/8	3/4	9/16	3/4	3-5/8	1.6890	0.6890	1/2	UC207-20	AK207	1.77	3.90
	1-5/16													207-21			
	1-3/8													207-22			
	1-7/16													207-23			
														UC207			
40	1-1/2	UCAK208-24	1-15/16	7-1/8	5-1/2	2-1/8	3/4	9/16	3/4	3-15/16	1.9370	0.7480	1/2	UC208-24	AK208	2.11	4.65
	1-9/16													208-25			
														UC208			
45	1-5/8	UCAK209-26	2-1/16	7-1/2	5-3/4	2-1/8	3/4	9/16	13/16	4-13/16	1.9370	0.7480	1/2	UC209-26	AK209	2.47	5.47
	1-11/16													209-27			
	1-3/4													209-28			
														UC209			
50	1-7/8	UCAK210-30	2-3/16	8	6-1/4	2-1/4	3/4	9/16	7/8	4-7/16	2.0315	0.7480	1/2	UC210-30	AK210	2.43	6.46
	1-15/16													210-31			
														UC210			
55	2	UCAK211-32	2-7/16	9-1/8	7-1/8	2-3/8	15/16	11/16	1	4-29/32	2.1890	0.8740	5/8	UC211-32	AK211	3.97	8.75
	2-1/8													211-34			
	2-3/16													211-35			
														UC211			
60	2-1/4	UCAK212-36	2-11/16	9-1/2	7-1/2	2-1/2	15/16	11/16	1-1/8	5-3/8	2.5630	1.0000	5/8	UC212-36	AK212	5.01	11.0
	2-3/8													212-38			
	2-7/16													212-39			
														UC212			
75	2-15/16	UCAK215-47	3-5/16	12	9-1/2	3-1/4	1-1/4	7/8	1-1/2	6-17/32	3.0630	1.3110	3/4	UC215-47	AK215	8.50	18.7
	3													215-48			
														UC215			