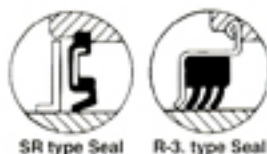


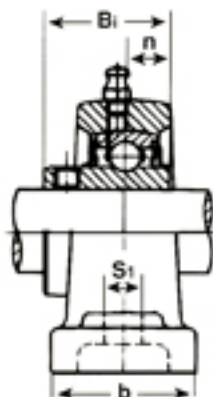
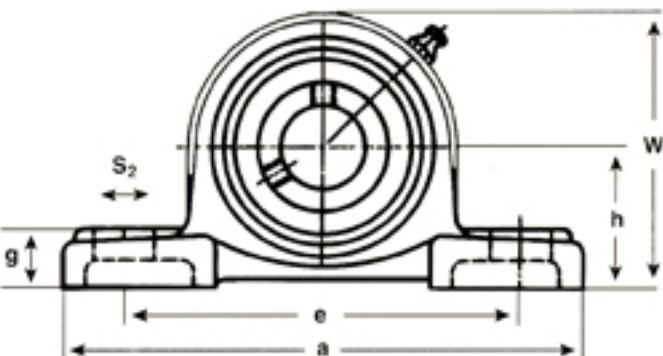
PILLOW BLOCKS

SET SCREW TYPE—MEDIUM DUTY SERIES

UCPX00-SERIES



SR type Seal R-3 type Seal



Shaft Dia. in.	SST Unit No.	Dimensions (in.)										Bolt Used in.	Bearing No.	Housing No.	Weight	
		h	a	e	b	S ₂	S ₁	g	w	Bi	n				kg	lbs.
7/8 15/16 1	UCPX05-14 X05-15 X05-16	1-3/4	6-1/4	4-11/16	2	1	21/32	5/8	3-3/8	1.5000	0.6260	1/2	UCX05-14 X05-15 X05-16	PX05	1.60	3.53
1-1/8 1-3/16 1-1/4	UCPX06-18 X06-19 X06-20	1-7/8	6-7/8	5	2-1/4	1	21/32	21/32	3-11/16	1.6890	0.6890	1/2	UCX06-18 X06-19 X06-20	PX06	2.14	4.72
1-1/4 1-5/16 1-3/8 1-7/16	UCPX07-20 X07-21 X07-22 X07-23	2-1/8	8	5-21/32	2-1/4	1-3/16	21/32	3/4	4-1/8	1.9370	0.7480	1/2	UCX07-20 X07-21 X07-22 X07-23	PX07	2.85	6.28
1-1/2 1-9/16	UCPX08-24 X08-25	2-5/16	8-3/4	6-5/32	2-5/8	1-1/4	25/32	13/16	4-1/2	1.9370	0.7480	5/8	UCX08-24 X08-25	PX08	3.71	8.18
1-5/8 1-11/16 1-3/4	UCPX09-26 X09-27 X09-28	2-15/16	8-3/4	6-5/32	2-5/8	1-5/16	25/32	13/16	4-9/16	2.0315	0.7480	5/8	UCX09-26 X09-27 X09-28	PX09	3.65	8.05
1-7/8 1-15/16 2	UCPX10-30 X10-31 X10-32	2-1/2	9-1/2	6-23/32	2-7/8	1-13/32	25/32	7/8	4-31/32	2.1890	0.8740	5/8	UCX10-30 X10-31 X10-32	PX10	4.49	9.90
2-1/8 2-3/16 2-1/4	UCPX11-34 X11-35 X11-36	2-3/4	10-1/4	7-1/4	3-1/8	1-13/32	1	1-3/32	5-15/32	2.5630	1.0000	3/4	UCX11-34 X11-35 X11-36	PX11	6.25	13.8
2-3/8 2-7/16	UCPX12-38 X12-39	3	11-1/4	8	3-9/32	1-9/16	1	1-3/32	5-31/32	2.5630	1.0000	3/4	UCX12-38 X12-39	PX12	7.52	16.6
2-1/2	UCPX13-40	3	11-1/4	8	3-9/32	1-9/16	1	1-3/32	6-3/32	2.9370	1.1890	3/4	UCX13-40	PX13	8.20	18.1
2-3/4	UCPX14-44	3-1/2	13	9-1/32	3-1/2	1-31/32	1-1/16	1-1/4	6-7/8	3.0630	1.3110	7/8	UCX14-44	PX14	10.60	23.4
2-15/16 3	UCPX15-47 X15-48	3-1/2	13	9-1/32	3-1/2	1-31/32	1-1/16	1-1/4	6-7/8	3.2520	1.3110	7/8	UCX15-47 X15-48	PX15	12.30	27.1