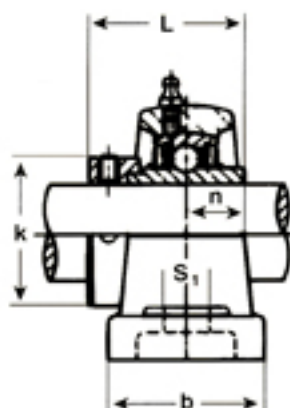
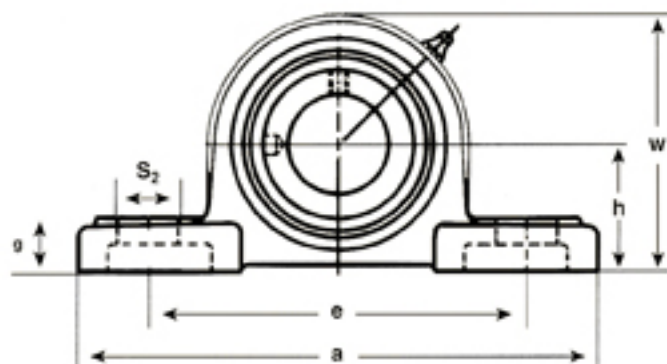
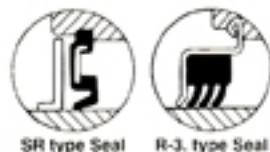


PILLOW BLOCKS

ECENTRIC LOCKING COLLAR TYPE— HIGH CENTER HEIGHT

HCP200-SERIES



Shaft Dia.		SST Unit No.	Dimensions (in.)										Bolt Used in.	Bearing No.	Housing No.	Weight		
mm	in.		h	a	e	b	S ₂	S ₁	g	w	L	n				k	kg	lbs.
20	5/8	HCP202-10	1-5/16	5	3-3/4	1-1/2	3/4	1/2	1/2	2-17/32	1.720	0.673	1-1/4	3/8	HC202-10	P204	0.70	1.54
	3/4	HCP204-12													HC204-12			
		HCP204													HC204			
25	7/8	HCP205-14	1-7/16	5-1/2	4-1/8	1-1/2	3/4	1/2	1/2	2-25/32	1.748	0.688	1-1/2	3/8	HC205-14	P205	0.88	1.94
	15/16	205-15													205-15			
	1	205-16													205-16			
		HCP205													HC205			
30	1-1/16	HCP206-17	1-11/16	6-1/2	4-3/4	1-7/8	13/16	21/32	19/32	3-5/16	1.905	0.720	1-3/4	1/2	HC206-17	P206	1.46	3.22
	1-1/8	206-18													206-18			
	1-3/16	206-19													206-19			
	1-1/4	206-20													206-20			
		HCP206													HC206			
35	1-1/4	HCP207-20	1-7/8	6-9/16	5	1-7/8	13/16	21/32	5/8	3-21/32	2.016	0.742	2-3/16	1/2	HC207-20	P207	1.74	3.84
	1-5/16	207-21													207-21			
	1-3/8	207-22													207-22			
	1-7/16	207-23													207-23			
		HCP207													HC207			
40	1-1/2	HCP208-24	1-15/16	7-1/4	5-13/32	2-1/8	13/16	21/32	21/32	3-27/32	2.220	0.844	2-3/8	1/2	HC208-24	P208	2.25	4.96
	1-9/16	208-25													208-25			
		HCP208													HC208			
45	1-5/8	HCP209-26	2-1/8	7-15/32	5-3/4	2-1/8	13/16	21/32	21/32	4-3/16	2.220	0.844	2-1/2	1/2	HC209-26	P209	2.53	5.58
	1-11/16	209-27													209-27			
	1-3/4	209-28													209-28			
		HCP209													HC209			
50	1-7/8	HCP210-30	2-1/4	8-1/8	6-1/4	2-3/8	7/8	25/32	3/4	4-7/16	2.468	0.969	2-3/4	5/8	HC210-30	P210	3.14	6.92
	1-15/16	210-31													210-31			
		HCP210													HC210			
55	2	HCP211-32	2-1/2	8-5/8	6-23/32	2-3/8	7/8	25/32	3/4	4-29/32	2.814	1.049	3	5/8	HC211-32	P211	3.95	8.71
	2-1/8	211-34													211-34			
	2-3/16	211-35													211-35			
		HCP211													HC211			
60	2-1/4	HCP212-36	2-3/4	9-1/2	7-1/4	2-3/4	1	25/32	7/8	5-7/16	3.062	1.219	3-5/16	3/8	HC212-36	P212	5.50	12.1
	2-3/8	212-38													212-38			
	2-7/16	212-39													212-39			
		HCP212													HC212			
	2-15/16	HCP215-47	3-1/4	10-13/16	8-17/32	2-29/32	1-3/16	1	1-3/32	6-3/8	3.374	1.469	4-1/32	3/4	HC215-47	P215	9.02	19.9
	3	215-48													215-48			