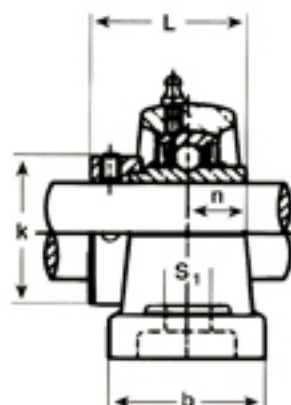
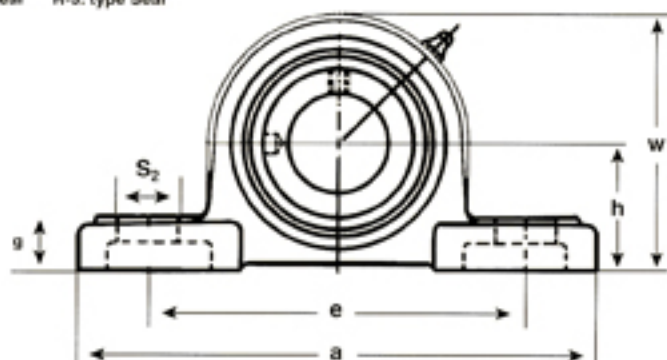


# PILLOW BLOCKS



## ECCENTRIC LOCKING COLLAR TYPE— LOW CENTER HEIGHT

HCAK200-SERIES



Shaft Dia. mm	in.	SST Unit No.	Dimensions (in.)										Bolt Used in.	Bearing No.	Housing No.	Weight		
			h	a	e	b	S <sub>2</sub>	S <sub>1</sub>	g	w	L	n				k	kg	lbs.
20	3/4	HCAK204-12	1-1/4	5-1/4	3-7/8	1-5/8	9/16	7/16	9/16	2-1/2	1.720	0.673	1-1/4	3/8	HCAK204-12	AK204	0.89	1.96
		HCAK204																
25	7/8	HCAK205-14	1-5/16	5-1/2	4-1/8	1-3/4	9/16	7/16	5/8	2-11/16	1.748	0.688	1-1/2	3/8	HCAK205-14	AK205	1.02	2.25
	15/16	205-15																
	1	205-16																
		HCAK205																
30	1-1/16	HCAK206-17	1-9/16	6-5/16	4-3/4	1-7/8	3/4	9/16	11/16	3-5/32	1.905	0.720	1-3/4	1/2	HCAK206-17	AK206	1.45	3.20
	1-1/8	206-18																
	1-3/16	206-19																
	1-1/4	206-20																
		HCAK206																
35	1-1/4	HCAK207-20	1-13/16	6-9/16	5	1-7/8	3/4	9/16	3/4	3-5/8	2.016	0.742	2-3/16	1/2	HCAK207-20	AK207	1.85	4.08
	1-5/16	207-21																
	1-3/8	207-22																
	1-7/16	207-23																
		HCAK207																
40	1-1/2	HCAK208-24	1-15/16	7-1/8	5-1/2	2-1/8	3/4	9/16	3/4	3-15/16	2.220	0.844	2-3/8	1/2	HCAK208-24	AK208	2.24	4.94
	1-9/16	208-25																
		HCAK208																
45	1-5/8	HCAK209-26	2-1/16	7-1/2	5-3/4	2-1/8	3/4	9/16	13/16	4-13/16	2.220	0.844	2-1/2	1/2	HCAK209-26	AK209	2.60	5.73
	1-11/16	209-27																
	1-3/4	209-28																
		HCAK209																
50	1-7/8	HCAK210-30	2-3/16	8	6-1/4	2-1/4	3/4	9/16	7/8	4-7/16	2.468	0.989	2-3/4	1/2	HCAK210-30	AK210	3.13	6.90
	1-15/16	210-31																
		HCAK210																
55	2	HCAK211-32	2-7/16	9-1/8	7-1/8	2-3/8	15/16	11/16	1	4-29/32	2.814	1.049	3	5/8	HCAK211-32	AK211	4.26	9.39
	2-1/8	211-34																
	2-3/16	211-35																
		HCAK211																
60	2-1/4	HCAK212-36	2-11/16	9-1/2	7-1/2	2-1/2	15/16	11/16	1-1/8	5-3/8	3.062	1.219	3-5/16	5/8	HCAK212-36	AK212	6.35	11.8
	2-3/8	212-38																
	2-7/16	212-39																
		HCAK212																
60	2-15/16	HCAK215-47	3-5/16	12	9-1/2	3-1/4	1-1/4	7/8	1-1/2	6-17/32	3.374	1.469	4-1/32	3/4	HCAK215-47	AK215	9.02	19.9
	3	215-48																