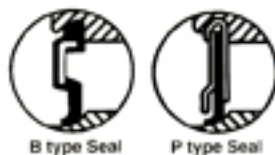
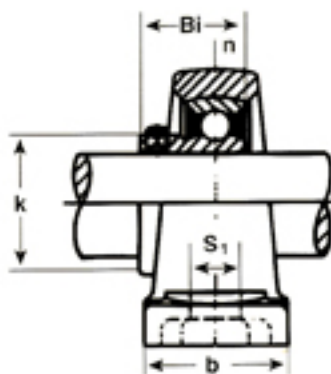
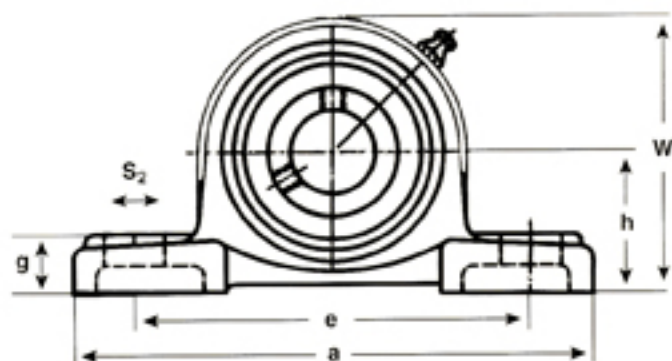


PILLOW BLOCKS

SET SCREW TYPE—LIGHT DUTY INSERTS

SBP200-SERIES
SBAK200-SERIES



SBP200-SERIES
HIGH CENTER HEIGHT

Shaft Dia. in.	SST Unit No.	Dimensions (in.)										Bolt Used in.	Bearing No.	Housing No.	Weight	
		h	a	e	b	S ₂	S ₁	g	w	Bi	n				kg	lbs.
1/2	SBP201-8	1-1/4	4-15/16	3-3/4	1-1/2	5/8	31/64	1/2	2-1/4	0.867	0.229	3/8	SB201-8G	P202	.54	1.29
5/8	SBP202-10												SB202-10G		.54	1.32
3/4	SBP204-12	1-5/16	5	3-3/4	1-1/2	3/4	1/2	1/2	2-17/32	0.984	0.275	3/8	SB204-12G	P204	0.63	1.39
7/8	SBP205-14	1-7/16	5-1/2	4-1/8	1-1/2	3/4	1/2	1/2	2-25/32	1.062	0.295	3/8	SB205-14G	P205	0.83	1.83
15/16	205-15												205-15G			
1	205-16												205-16G			
1-1/16	SBP206-17	1-11/16	6-1/2	4-3/4	1-7/8	13/16	21/32	19/32	3-5/16	1.181	0.315	1/2	SB206-17G	P206	1.34	2.95
1-1/8	206-18												206-18G			
1-3/16	206-19												206-19G			
1-1/4	206-20												206-20G			
1-1/4	SBP207-20	1-7/8	6-9/16	5	1-7/8	13/16	21/32	5/8	3-21/32	1.259	0.335	1/2	SB207-20G	P207	1.57	3.46
1-5/16	207-21												207-21G			
1-3/8	207-22												207-22G			
1-7/16	207-23												207-23G			
1-1/2	SBP208-24	1-15/16	7-1/4	5-13/32	2-1/8	13/16	21/32	21/32	3-27/32	1.338	0.354	1/2	SB208-24G	P208	2.04	4.50

SBAK200-SERIES
LOW CENTER HEIGHT

Shaft Dia. in.	SST Unit No.	Dimensions (in.)										Bolt Used in.	Bearing No.	Housing No.	Weight	
		h	a	e	b	S ₂	S ₁	g	w	Bi	n				kg	lbs.
3/4	SBAK204-12	1-1/4	5-1/4	3-7/8	1-5/8	9/16	7/16	9/16	2-1/2	0.984	0.275	3/8	SB204-12G	AK204	0.82	1.81
7/8	SBAK205-14	1-5/16	5-1/2	4-1/8	1-3/4	9/16	7/16	5/8	2-11/16	1.062	0.295	3/8	SB205-14G	AK205	0.97	2.14
15/16	205-15												205-15G			
1	205-16												205-16G			
1-1/16	SBAK206-17	1-9/16	6-5/16	4-3/4	1-7/8	3/4	9/16	11/16	3-5/32	1.181	0.315	1/2	SB206-17G	AK206	1.33	2.93
1-1/8	206-18												206-18G			
1-3/16	206-19												206-19G			
1-1/4	206-20												206-20G			
1-1/4	SBAK207-20	1-13/16	6-9/16	5	1-7/8	3/4	9/16	3/4	3-5/8	1.259	0.335	1/2	SB207-20G	AK207	1.68	3.70
1-5/16	207-21												207-21G			
1-3/8	207-22												207-22G			
1-7/16	207-23												207-23G			
1-1/2	SBAK208-24	1-15/16	7-1/8	5-1/2	2-1/8	3/4	9/16	3/4	3-15/16	1.338	0.354	1/2	SB208-24G	AK208	2.03	4.50