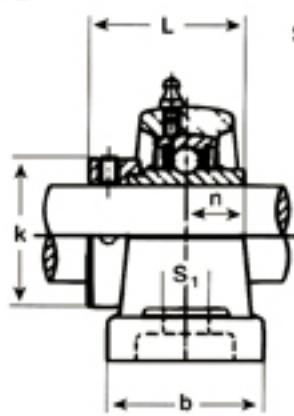
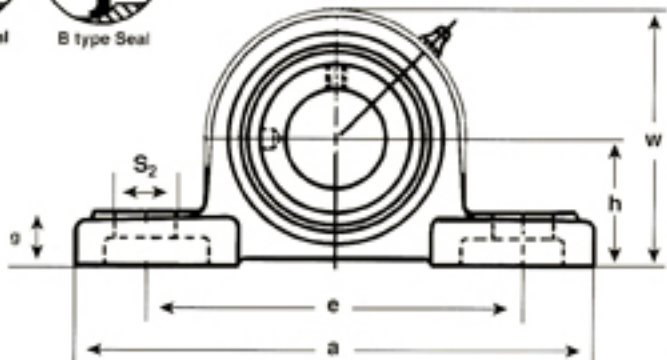


PILLOW BLOCKS



ECCENTRIC LOCKING COLLAR TYPE – LIGHT DUTY INSERTS



SAP200-SERIES
SAK200-SERIES

SAP200-SERIES HIGH CENTER HEIGHT

| Shaft Dia. in. | SST Unit No. | Dimensions (in.) | | | | | | | | | | | Bolt Used in. | Bearing No. | Housing No. | Weight | |
|-------------------|-----------------|------------------|---------|---------|-------|----------------|----------------|-------|---------|-------|-------|-------|---------------------|----------------|----------------|--------|------|
| | | h | a | e | b | S ₂ | S ₁ | g | w | L | n | k | | | | kg | lbs. |
| 1/2 | SAP201-8 | 1-1/4 | 4-15/16 | 3-3/4 | 1-1/2 | 5/8 | 1/2 | 17/32 | 2-17/64 | 1.128 | 0.232 | 1-1/8 | 3/8 | SA201-8G | P202 | 0.57 | 1.39 |
| 5/8 | SAP202-10 | | | | | | | | | 1.155 | | | | | | 0.58 | 1.44 |
| 3/4 | SAP204-12 | 1-5/16 | 5 | 3-3/4 | 1-1/2 | 3/4 | 1/2 | 1/2 | 2-11/32 | 1.218 | 0.295 | 1-1/4 | 3/8 | SA204-12G | P204 | 0.65 | 1.43 |
| 7/8 | SAP205-14 | 1-7/16 | 5-1/2 | 4-1/8 | 1-1/2 | 3/4 | 1/2 | 1/2 | 2-25/32 | 1.218 | 0.295 | 1-1/2 | 3/8 | SA205-14G | P205 | 0.85 | 1.87 |
| 15/16 | 205-15 | | | | | | | | | | | | | | | | |
| 1 | 205-16 | | | | | | | | | | | | | | | | |
| 1-1/16 | SAP206-17 | 1-11/16 | 6-1/2 | 4-3/4 | 1-7/8 | 13/16 | 21/32 | 19/32 | 3-5/16 | 1.406 | 0.354 | 1-3/4 | 1/2 | SA206-17G | P206 | 1.40 | 3.09 |
| 1-1/8 | 206-18 | | | | | | | | | | | | | | | | |
| 1-3/16 | 206-19 | | | | | | | | | | | | | | | | |
| 1-1/4 | 206-20 | | | | | | | | | | | | | | | | |
| 1-1/4 | SAP207-20 | | | | | | | | | | | | | | | | |
| 1-5/16 | 207-21 | | | | | | | | | | | | | | | | |
| 1-3/8 | 207-22 | | | | | | | | | | | | | | | | |
| 1-7/16 | 207-23 | | | | | | | | | | | | | | | | |
| 1-1/2 | SAP208-24 | 1-15/16 | 7-1/4 | 5-13/32 | 2-1/8 | 13/16 | 21/32 | 21/32 | 3-27/32 | 1.719 | 0.433 | 2-3/8 | 1/2 | SA208-24G | P208 | 2.12 | 4.67 |

SAK200-SERIES LOW CENTER HEIGHT

| Shaft Dia. in. | SST Unit No. | Dimensions (in.) | | | | | | | | | | | Bolt Used in. | Bearing No. | Housing No. | Weight | |
|-------------------|-----------------|------------------|--------|-------|-------|----------------|----------------|-------|---------|-------|-------|--------|---------------------|----------------|----------------|--------|------|
| | | h | a | e | b | S ₂ | S ₁ | g | w | L | n | k | | | | kg | lbs. |
| 3/4 | SAAK204-12 | 1-1/4 | 5-1/4 | 3-7/8 | 1-5/8 | 9/16 | 7/16 | 9/16 | 2-1/2 | 1.218 | 0.295 | 1-1/4 | 3/8 | SA201-12G | AK204 | 0.84 | 1.85 |
| 7/8 | SAAK205-14 | 1-5/16 | 5-1/2 | 4-1/8 | 1-3/4 | 9/16 | 7/16 | 5/8 | 2-11/16 | 1.218 | 0.295 | 1-1/2 | 3/8 | SA205-14G | AK205 | 0.99 | 2.18 |
| 15/16 | 205-15 | | | | | | | | | | | | | | | | |
| 1 | 205-16 | | | | | | | | | | | | | | | | |
| 1-1/16 | SAAK206-17 | 1-9/16 | 6-5/16 | 4-3/4 | 1-7/8 | 3/4 | 9/16 | 11/16 | 3-5/32 | 1.406 | 0.354 | 1-3/4 | 1/2 | SA206-17G | AK206 | 1.39 | 3.06 |
| 1-1/8 | 206-18 | | | | | | | | | | | | | | | | |
| 1-3/16 | 206-19 | | | | | | | | | | | | | | | | |
| 1-1/4 | 206-20 | | | | | | | | | | | | | | | | |
| 1-1/4 | SAAK207-20 | 1-13/16 | 6-9/16 | 5 | 1-7/8 | 3/4 | 9/16 | 3/4 | 3-5/8 | 1.531 | 0.374 | 2-3/16 | 1/2 | SA207-20G | AK207 | 1.79 | 3.95 |
| 1-5/16 | 207-21 | | | | | | | | | | | | | | | | |
| 1-3/8 | 207-22 | | | | | | | | | | | | | | | | |
| 1-7/16 | 207-23 | | | | | | | | | | | | | | | | |
| 1-1/2 | SAAK208-24 | 1-15/16 | 7-1/8 | 5-1/2 | 2-1/8 | 3/4 | 9/16 | 3/4 | 3-15/16 | 1.719 | 0.433 | 2-3/8 | 1/2 | SA208-24G | AK208 | 2.11 | 4.65 |