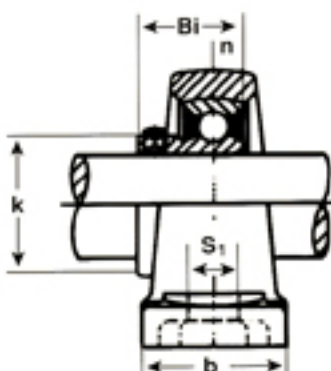


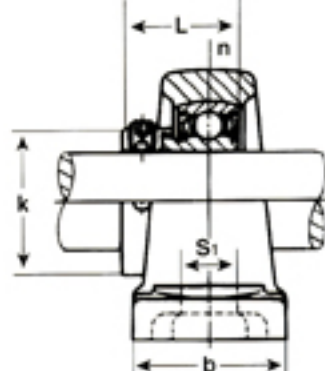
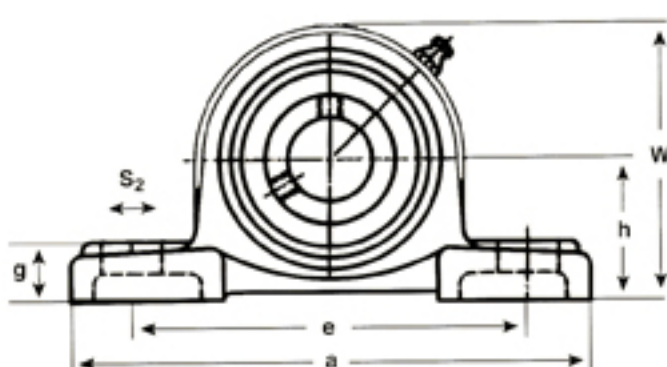
# PILLOW BLOCKS

## NARROW CAST IRON HOUSING SERIES

SBLP200-SERIES  
SALP200-SERIES



SBLP



SALP

SBLP200-SERIES  
SET SCREW TYPE

Shaft Dia. in.	SST Unit No.	Dimensions (in.)										Bolt Used in.	Bearing No.	Housing No.	Weight	
		h	a	e	b	S <sub>2</sub>	S <sub>1</sub>	g	w	Bi	n				kg	lbs.
1/2 5/8	SBLP201-8 202-10	1-3/16	4-1/2	3-7/16	1	5/8	7/16	15/32	2-1/4	0.866	0.236	3/8	SB201-8 202-10	LP203	0.38	0.84
3/4	SBLP204-12	1-5/16	4-29/32	3-13/16	1-1/16	5/8	7/16	1/2	2-9/16	0.984	0.275	3/8	SB204-12	LP204	0.47	1.03
7/8 15/16 1	SBLP205-14 205-15 205-16	1-7/16	5-1/8	3-15/16	1-5/32	5/8	7/16	1/2	2-25/32	1.062	0.295	3/8	SB205-14 205-15 206-16	LP205	0.58	1.28
1-1/8 1-3/16 1-1/4	SBLP206-18 206-19 206-20	1-11/16	6-5/32	4-22/32	1-5/16	13/16	7/16	9/16	3-9/32	1.181	0.315	1/2	SB206-18 206-19 206-20	LP206	0.68	1.50
1-1/4 1-5/16 1-3/8 1-7/16	SBLP207-20 207-21 207-22 207-23	1-7/8	6-1/2	5	1-3/8	13/16	9/16	5/8	3-23/32	1.259	0.335	1/2	SB207-20 207-21 207-22 207-23	LP207	0.94	2.07
1-1/2	SBLP208-24	2	7-1/4	5-1/2	1-5/32	7/8	9/16	23/32	4-1/32	1.338	0.354	1/2	SB208-24	LP208	1.80	3.96

SALP200-SERIES  
ECCENTRIC LOCKING COLLAR TYPE

Shaft Dia. in.	SST Unit No.	Dimensions (in.)										Bolt Used in.	Bearing No.	Housing No.	Weight		
		h	a	e	b	S <sub>2</sub>	S <sub>1</sub>	g	w	L	n				k	kg	lbs.
1/2 5/8	SALP201-8 202-10	1-3/16	4-1/2	3-7/16	1	5/8	7/16	15/32	2-1/4	1.125	0.256	1-1/8	3/8	SA201-8 202-10	LP203	0.41	0.90
3/4	SALP204-12	1-5/16	4-29/32	3-13/16	1-1/16	5/8	7/16	1/2	2-9/16	1.218	0.295	1-1/4	3/8	SA204-12	LP204	0.53	1.17
7/8 15/16 1	SALP205-14 205-15 205-16	1-7/16	5-1/8	3-15/16	1-5/32	5/8	7/16	1/2	2-25/32	1.218	0.295	1-1/2	3/8	SA205-14 205-15 205-16	LP205	0.63	1.39
1-1/8 1-3/16 1-1/4	SALP206-18 206-19 206-20	1-11/16	6-5/32	4-22/32	1-5/16	13/16	7/16	9/16	3-9/32	1.406	0.354	1-3/4	1/2	SA206-18 206-19 206-20	LP206	0.76	1.67
1-1/4 1-5/16 1-3/8 1-7/16	SALP207-20 207-21 207-22 207-23	1-7/8	6-1/2	5	1-3/8	13/16	9/16	5/8	3-23/32	1.531	0.374	2-3/16	1/2	SA207-20 207-21 207-22 207-23	LP207	1.10	2.42
1-1/2	SALP208-24	2	7-1/4	5-1/2	1-15/32	7/8	9/16	23/32	4-1/32	1.719	0.433	2-3/8	1/2	SA208-24	LP208	1.90	4.18

Note: To specify relubricatable units, add "G" suffix (e.g., SBLP205-16G).