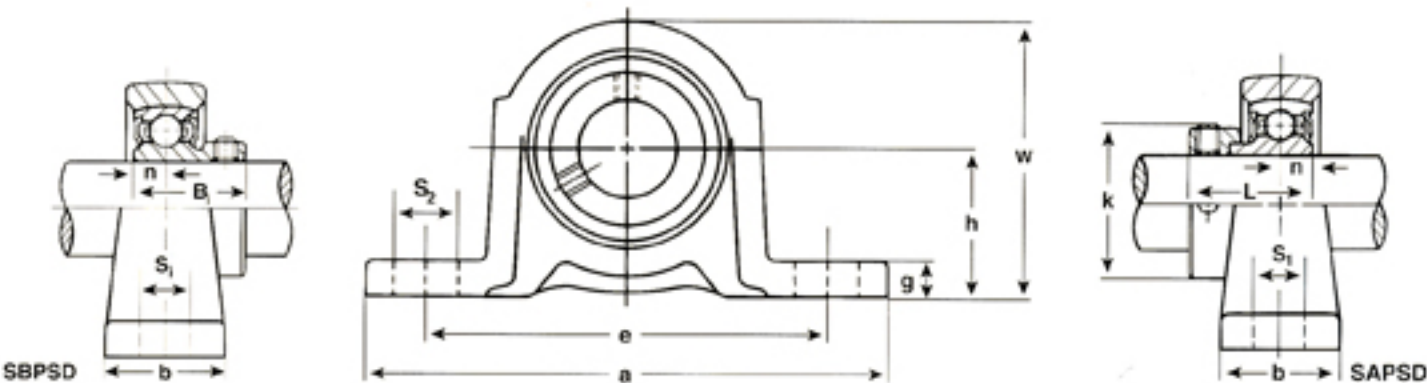


PILLOW BLOCKS

NARROW DUCTILE IRON HOUSING SERIES



SBPSD200-SERIES
SAPSD200-SERIES



SBPSD200-SERIES SET SCREW TYPE

Shaft Dia. in.	SST Unit No.	Dimensions (in.)										Bolt Used in.	Bearing No.	Housing No.	Weight	
		h	a	e	b	S ₂	S ₁	g	w	Bi	n				kg	lbs.
1/2	SBPSD201-8	1-3/16	4-1/2	3-7/16	1	5/8	7/16	1/4	2-1/8	0.668	0.236	3/8	SB201-8	PSD203	.28	.62
5/8	201-10												202-10			
3/4	SBPSD204-12	1-5/16	4-15/16	3-13/16	1-1/16	5/8	7/16	9/32	2-13/16	0.984	0.275	3/8	SB204-12	PSD204	.36	.79
7/8	SBPSD205-14	1-7/16	5-1/8	3-15/16	1-1/8	5/8	7/16	9/32	2-21/32	1.062	0.295	3/8	SB205-14	PSD205	.48	1.06
15/16	205-15												205-15			
1	205-16												205-16			
1-1/8	SBPSD206-18	1-11/16	6-5/32	4-22/32	1-5/16	13/16	9/16	5/16	3-1/8	1.181	0.315	1/2	SB206-18	PSD206	.76	1.68
1-3/16	206-19												206-19			
1-1/4	206-20												206-20			
1-1/4	SBPSD207-20	1-7/8	6-1/2	5	1-3/8	13/16	9/16	11/32	3-9/16	1.259	0.335	1/2	207-20	PSD207	1.03	2.277
1-5/16	207-21												207-21			
1-3/8	207-22												207-22			
1-7/16	207-23												207-23			

SAPSD200-SERIES ECCENTRIC LOCKING COLLAR TYPE

Shaft Dia. in.	SST Unit No.	Dimensions (in.)										Bolt Used in.	Bearing No.	Housing No.	Weight		
		h	a	e	b	S ₂	S ₁	g	w	L	n				k	kg	lbs.
1/2	SAPSD201-8	1-3/16	4-1/2	3-7/16	1	5/8	7/16	1/4	2-1/8	1.125	.256	1-1/8	3/8	SA201-8	PSD203	.31	.68
5/8	202-10													202-10			
3/4	SAPSD204-12	1-5/16	4-15/16	3-13/16	1-1/16	5/8	7/16	9/32	2-13/32	1.218	.295	1-1/4	3/8	SA204-12	PSD204	.38	.84
7/8	SAPSD205-14	1-7/16	5-1/8	3-15/16	1-1/8	5/8	7/16	9/32	2-21/32	1.218	.295	1-1/2	3/8	SA205-14	PSD205	.50	1.10
15/16	205-15													205-15			
1	205-16													205-16			
1-1/8	SAPSD206-18	1-11/16	6-5/32	4-23/32	1-5/16	13/16	9/16	5/16	3-1/8	1.406	.354	1-3/4	1/2	SA206-18	PSD206	.82	1.81
1-3/16	206-19													206-19			
1-1/4	206-20													206-20			
1-1/4	SAPSD207-20	1-7/8	6-1/2	5	1-3/8	13/16	9/16	11/32	3-9/16	1.531	.374	2-3/16	1/2	SA207-20	PSD207	1.16	2.56
1-5/16	207-21													207-21			
1-3/8	207-22													207-22			
1-7/16	207-23													207-23			

Note: To specify relubricatable units, add "G" suffix, (e.g., SBPSD205-16G).