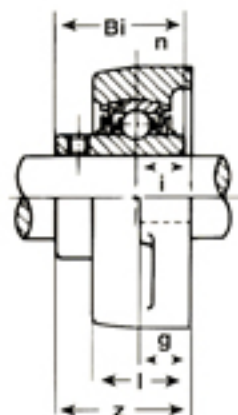
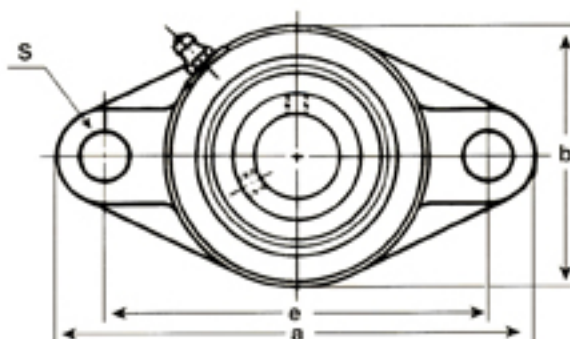


# 2-BOLT FLANGE UNITS

## SET SCREW TYPE

UCFL200-SERIES



SR type Seal



R-3 type Seal

Shaft Dia. mm	in.	SST Unit No.	Dimensions (in.)										Bolt Used in.	Bearing No.	Housing No.	Weight	
			a	e	l	g	l	s	b	z	Bi	n				kg	lbs.
12	1/2	UCFL201-8	4-7/16	3-35/64	19/32	7/16	1	15/32	2-3/8	1-5/16	1.2205	0.5000	3/8	UC201-8	FL204	0.50	1.10
	5/8	202-10												UC201			
	3/4	204-12												202			
		203												204			
15		UCFL201															
17		202															
20		203															
		204															
25	7/8	UCFL205-14	5-1/8	3-57/64	5/8	1/2	1-1/16	5/8	2-11/16	1-15/32	1.3386	0.5630	1/2	UC205-14	FL205	0.70	1.54
	15/16	205-15												UC205			
	1	205-16															
		UCFL205															
30	1-1/16	UCFL206-17	5-13/16	4-39/64	45/64	1/2	1-7/32	5/8	3-5/32	1-19/32	1.5000	0.6260	1/2	UC206-17	FL206	0.98	2.16
	1-1/8	206-18												UC206			
	1-3/16	206-19															
	1-1/4	206-20															
		UCFL206															
35	1-1/4	UCFL207-20	6-11/32	5-1/8	3/4	9/16	1-11/32	5/8	3-17/32	1-3/4	1.6890	0.6890	1/2	UC207-20	FL207	1.35	2.98
	1-5/16	207-21												UC207			
	1-3/8	207-22															
	1-7/16	207-23															
		UCFL207															
40	1-1/2	UCFL208-24	6-7/8	5-43/64	53/64	9/16	1-13/32	5/8	3-15/16	2-1/64	1.9370	0.7480	1/2	UC208-24	FL208	1.69	3.73
	1-9/16	208-25												UC208			
		UCFL208															
45	1-5/8	UCFL209-26	7-13/32	5-53/64	55/64	19/32	1-1/2	3/4	4-1/4	2-1/16	1.9370	0.7480	5/8	UC209-26	FL209	2.04	4.50
	1-11/16	209-27												UC209			
	1-3/4	209-28															
		UCFL209															
50	1-7/8	UCFL210-30	7-3/4	6-3/16	55/64	19/32	1-9/16	3/4	4-17/32	2-5/32	2.0315	0.7480	5/8	UC210-30	FL210	2.30	5.07
	1-15/16	210-31												UC210			
		UCFL210															
55	2	UCFL211-32	8-13/16	7-1/4	63/64	23/32	1-11/16	3/4	5-1/8	2-5/16	2.1890	0.8740	5/8	UC211-32	FL211	3.30	7.28
	2-1/8	211-34												UC211			
	2-3/16	211-35															
		UCFL211															
60	2-1/4	UCFL212-36	9-27/32	7-61/64	1-9/64	23/32	1-7/8	29/32	5-1/2	2-23/32	2.5630	1.0000	3/4	UC212-36	FL212	4.30	9.48
	2-3/8	212-38												UC212			
	2-7/16	212-39															
		UCFL212															
65	2-1/2	UCFL213	10-5/32	8-17/64	1-3/16	25/32	1-31/32	29/32	6-3/32	2-3/4	2.5630	1.0000	3/4	UC213-40	FL213	5.40	11.90
		UCFL213												UC213			