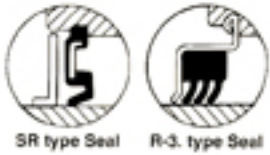
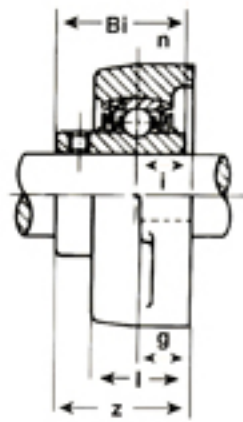
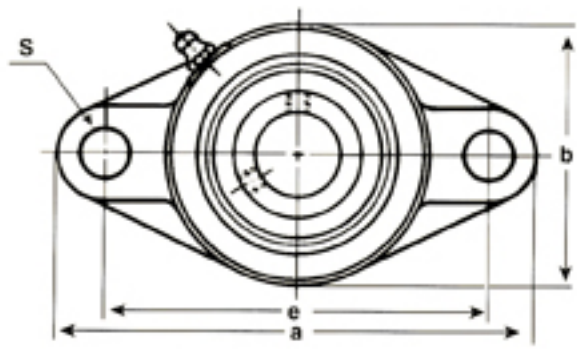


# 2-BOLT FLANGE UNITS



## SET SCREW TYPE

UCFT200-SERIES



| Shaft Dia. |         | SST Unit No. | Dimensions (in.) |         |         |       |         |       |        |         |        | Bolt Used in. | Bearing No. | Housing No. | Weight |      |      |          |
|------------|---------|--------------|------------------|---------|---------|-------|---------|-------|--------|---------|--------|---------------|-------------|-------------|--------|------|------|----------|
| mm         | in.     |              | a                | e       | i       | g     | l       | s     | b      | z       | Bi     |               |             |             | n      | kg   | lbs. |          |
| 12         | 1/2     | UCFT201-8    | 4-13/32          | 3-17/32 | 3/4     | 7/16  | 1-5/32  | 13/32 | 2-3/8  | 1-25/32 | 1.2205 | 0.5000        | 5/16        | UC201-8     | FT204  | 0.58 | 1.28 |          |
|            | 5/8     | 202-10       |                  |         |         |       |         |       |        |         |        |               |             | UC201       |        |      |      | UC201-8  |
|            | 3/4     | 204-12       |                  |         |         |       |         |       |        |         |        |               |             | 202         |        |      |      | 202-10   |
|            |         |              |                  |         |         |       |         |       |        |         |        |               |             | 203         |        |      |      | 204-12   |
| 15         |         | UCFT201      |                  |         |         |       |         |       |        |         |        |               | UC201       |             |        |      |      |          |
| 17         |         | 202          |                  |         |         |       |         |       |        |         |        |               | 202         |             |        |      |      |          |
| 20         |         | 203          |                  |         |         |       |         |       |        |         |        |               | 203         |             |        |      |      |          |
|            |         | 204          |                  |         |         |       |         |       |        |         |        |               | 204         |             |        |      |      |          |
| 25         | 7/8     | UCFT205-14   | 4-7/8            | 3-57/64 | 25/32   | 17/32 | 1-7/32  | 1/2   | 2-3/4  | 1-27/32 | 1.3386 | 0.5630        | 3/8         | UC205-14    | FT205  | 0.83 | 1.83 |          |
|            | 15/16   | 205-15       |                  |         |         |       |         |       |        |         |        |               |             | UC205-14    |        |      |      | UC205-14 |
|            | 1       | 205-16       |                  |         |         |       |         |       |        |         |        |               |             | 205-15      |        |      |      | 205-15   |
|            |         |              |                  |         |         |       |         |       |        |         |        |               |             | 205-16      |        |      |      | 205-16   |
|            |         | UCFT205      |                  |         |         |       |         |       |        |         |        |               | UC205       |             |        |      |      |          |
| 30         | 1-1/16  | UCFT206-17   | 5-9/16           | 4-19/32 | 53/64   | 17/32 | 1-11/32 | 1/2   | 3-1/4  | 2       | 1.5000 | 0.6260        | 3/8         | UC206-17    | FT206  | 1.05 | 2.32 |          |
|            | 1-1/8   | 206-18       |                  |         |         |       |         |       |        |         |        |               |             | UC206-17    |        |      |      | UC206-17 |
|            | 1-3/16  | 206-19       |                  |         |         |       |         |       |        |         |        |               |             | 206-18      |        |      |      | 206-18   |
|            | 1-1/4   | 206-20       |                  |         |         |       |         |       |        |         |        |               |             | 206-19      |        |      |      | 206-19   |
|            |         |              |                  |         |         |       |         |       |        |         |        |               |             | 206-20      |        |      |      | 206-20   |
|            |         | UCFT206      |                  |         |         |       |         |       |        |         |        |               | UC206       |             |        |      |      |          |
| 35         | 1-1/4   | UCFT207-20   | 6-1/8            | 5-1/8   | 27/32   | 9/16  | 1-7/16  | 35/64 | 3-3/4  | 2-1/8   | 1.6890 | 0.6890        | 7/16        | UC207-20    | FT207  | 1.57 | 3.46 |          |
|            | 1-5/16  | 207-21       |                  |         |         |       |         |       |        |         |        |               |             | UC207-20    |        |      |      | UC207-20 |
|            | 1-3/8   | 207-22       |                  |         |         |       |         |       |        |         |        |               |             | 207-21      |        |      |      | 207-21   |
|            | 1-7/16  | 207-23       |                  |         |         |       |         |       |        |         |        |               |             | 207-22      |        |      |      | 207-22   |
|            |         |              |                  |         |         |       |         |       |        |         |        |               |             | 207-23      |        |      |      | 207-23   |
|            |         | UCFT207      |                  |         |         |       |         |       |        |         |        |               | UC207       |             |        |      |      |          |
| 40         | 1-1/2   | UCFT208-24   | 6-3/4            | 5-21/32 | 15/16   | 9/16  | 1-17/32 | 35/64 | 4-1/8  | 2-5/16  | 1.9370 | 0.7480        | 7/16        | UC208-24    | FT208  | 1.97 | 4.34 |          |
|            | 1-9/16  | 208-25       |                  |         |         |       |         |       |        |         |        |               |             | UC208-24    |        |      |      | UC208-24 |
|            |         |              |                  |         |         |       |         |       |        |         |        |               |             | 208-25      |        |      |      | 208-25   |
|            |         | UCFT208      |                  |         |         |       |         |       |        |         |        |               | UC208       |             |        |      |      |          |
| 45         | 1-5/8   | UCFT209-26   | 7-1/16           | 5-27/32 | 15/16   | 9/16  | 1-9/16  | 5/8   | 4-3/8  | 2-5/16  | 1.9370 | 0.7480        | 1/2         | UC209-26    | FT209  | 2.32 | 5.12 |          |
|            | 1-11/16 | 209-27       |                  |         |         |       |         |       |        |         |        |               |             | UC209-26    |        |      |      | UC209-26 |
|            | 1-3/4   | 209-28       |                  |         |         |       |         |       |        |         |        |               |             | 209-27      |        |      |      | 209-27   |
|            |         |              |                  |         |         |       |         |       |        |         |        |               |             | 209-28      |        |      |      | 209-28   |
|            |         | UCFT209      |                  |         |         |       |         |       |        |         |        |               | UC209       |             |        |      |      |          |
| 50         | 1-7/8   | UCFT210-30   | 7-7/16           | 6-3/16  | 1-1/8   | 9/16  | 1-27/32 | 5/8   | 4-9/16 | 2-5/8   | 2.0315 | 0.7480        | 1/2         | UC210-30    | FT210  | 2.70 | 5.95 |          |
|            | 1-15/16 | 210-31       |                  |         |         |       |         |       |        |         |        |               |             | UC210-30    |        |      |      | UC210-30 |
|            |         |              |                  |         |         |       |         |       |        |         |        |               |             | 210-31      |        |      |      | 210-31   |
|            |         | UCFT210      |                  |         |         |       |         |       |        |         |        |               | UC210       |             |        |      |      |          |
| 55         | 2       | UCFT211-32   | 8-1/2            | 7-1/4   | 1-17/64 | 13/16 | 1-31/32 | 45/64 | 5-1/4  | 2-31/32 | 2.1890 | 0.8740        | 9/16        | UC211-32    | FT211  | 4.06 | 8.95 |          |
|            | 2-1/8   | 211-34       |                  |         |         |       |         |       |        |         |        |               |             | UC211-32    |        |      |      | UC211-32 |
|            | 2-3/16  | 211-35       |                  |         |         |       |         |       |        |         |        |               |             | 211-34      |        |      |      | 211-34   |
|            |         |              |                  |         |         |       |         |       |        |         |        |               |             | 211-35      |        |      |      | 211-35   |
|            |         | UCFT211      |                  |         |         |       |         |       |        |         |        |               | UC211       |             |        |      |      |          |