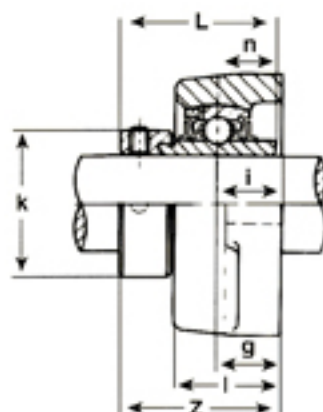
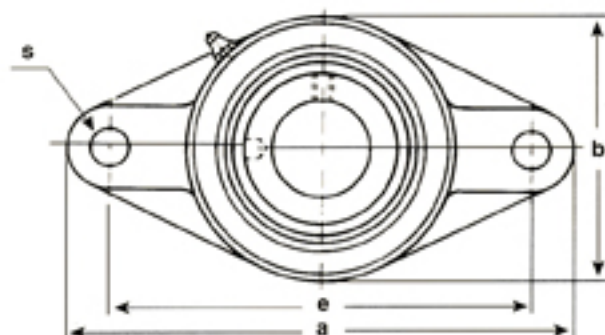
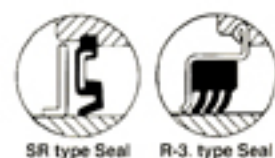


# 2-BOLT FLANGE UNITS

## ECENTRIC LOCKING COLLAR TYPE

HCFT200-SERIES



Shaft Dia. mm    in.	SST Unit No.	Dimensions (in.)											Bolt Used in.	Bearing No.	Housing No.	Weight		
		a	e	i	g	l	s	b	z	L	n	k				kg	lbs.	
	1/2	HCFT201-8	13/32	3-1/2	3/4	7/16	1-5/32	13/32	3/8	1-25/32	1.7126	.6693	1-1/8	HC201-8	FT204	0.50	1.10	
	5/8	HCFT202-10											1-1/4			5/16	0.45	1
20	3/4	HCFT204-12	4-13/32	3-17/32	3/4	7/16	1-5/32	13/32	2-3/8	1-25/32	1.7126	0.6693	1-1/4	HC204-12	FT204	0.52	1.37	
		HCFT204											5/16					
25	7/8	HCFT205-14	4-7/8	3-57/64	25/32	17/32	1-7/32	1/2	2-3/4	1-27/32	1.7441	0.6850	1-1/2	3/8	HC205-14	FT205	0.85	1.87
	15/16	205-15																
	1	205-16																
		HCFT205																
30	1-1/16	HCFT206-17	5-9/16	4-19/32	53/64	17/32	1-11/32	1/2	3-1/4	2	1.9016	0.7165	1-3/4	3/8	HC206-17	FT206	1.10	2.43
	1-1/8	206-18																
	1-3/16	206-19																
	1-1/4	206-20																
		HCFT206																
35	1-1/4	HCFT207-20	6-1/8	5-1/8	27/32	9/16	1-7/16	35/64	3-3/4	2-1/8	2.0118	0.7402	2-3/16	7/16	HC207-20	FT207	1.55	3.64
	1-5/16	207-21																
	1-3/8	207-22																
	1-7/16	207-23																
		HCFT207																
40	1-1/2	HCFT208-24	6-3/4	5-21/32	15/16	9/16	1-17/32	35/64	4-1/8	2-5/16	2.2165	0.8425	2-3/8	7/16	HC208-24	FT208	2.10	4.63
	1-9/16	208-25																
		HCFT208																
45	1-5/8	HCFT209-26	7-1/16	5-27/32	15/16	9/16	1-9/16	5/8	4-3/8	2-5/16	2.2165	0.8425	2-1/2	1/2	HC209-26	FT209	2.45	5.40
	1-11/16	209-27																
	1-3/4	209-28																
		HCFT209																
50	1-7/8	HCFT210-30	7-7/16	6-3/16	1-1/8	9/16	1-27/32	5/8	4-9/16	2-5/8	2.4685	0.9685	2-3/4	1/2	HC210-30	FT210	2.90	6.39
	1-15/16	210-31																
		HCFT210																
55	2	HCFT211-32	8-1/2	7-1/4	1-17/64	13/16	1-31/32	45/64	5-1/4	2-31/32	2.8110	1.0906	3	9/16	HC211-32	FT211	4.35	9.59
	2-1/8	211-34																
	2-3/16	211-35																
		HCFT211																
60	2-1/4	HCFT212-36	9-5/16	8	1-3/8	55/64	2-7/64	21/32	5-7/16	3-3/16	3.062	1.2190	3.312	9/16	HC212-36	FT212	3.99	8.13
	2-3/8	212-38																
	2-7/16	212-39																
		HCFT212																