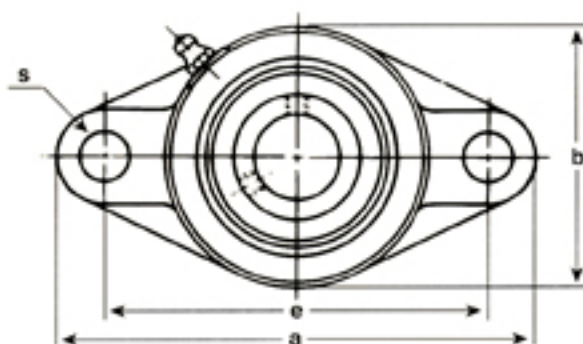
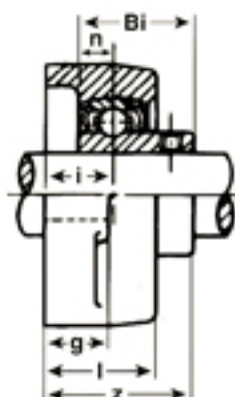


2-BOLT FLANGE UNITS

LIGHT DUTY INSERTS

SBFT200-SERIES



SET SCREW TYPE

Shaft Dia. in.	SST Unit No.	Dimensions (in.)										Bolt Used in.	Bearing No.	Housing No.	Weight	
		a	e	i	g	l	s	b	z	Bi	n				kg	lbs.
1/2 5/8	SBFT201-8 202-10	3-7/8	3	45/64	7/16	1	25/64	2-11/64	1-21/64	0.866	0.236	5/16	SB201-8G 202-10G	FT203	0.39	0.85
3/4	SBFT204-12	4-13/32	3-17/32	3/4	7/16	1-5/32	13/32	2-3/8	1-7/16	0.984	0.275	5/16	SB204-12G	FT204	0.55	1.21
7/8 15/16 1	SBFT205-14 205-15 205-16	4-7/8	3-57/64	25/32	17/32	1-7/32	1/2	2-3/4	1-35/64	1.062	0.295	3/8	SB205-14G 205-15G 205-16G	FT205	0.80	1.76
1-1/16 1-1/8 1-3/16 1-1/4	SBFT206-17 206-18 206-19 206-20	5-9/16	4-19/32	53/64	17/32	1-11/32	1/2	3-1/4	1-11/16	1.181	0.315	3/8	SB206-14G 206-18G 206-19G 206-20G	FT206	0.96	2.16
1-1/4 1-5/16 1-3/8 1-7/16	SBFT207-20 207-21 207-22 207-23	6-1/8	5-1/8	27/32	9/16	1-7/16	35/64	3-3/4	1-25/32	1.259	0.335	7/16	SB207-20G 207-21G 207-22G 207-23G	FT207	1.48	3.26
1-1/2	SBFT208-24	6-3/4	5-21/32	15/16	9/16	1-17/32	35/64	4-1/8	1-59/64	1.338	0.354	7/16	SB208-24G	FT208	1.89	4.17
5/8 11/16 3/4	SBFT209-26 209-27 209-28	7-1/16	5-27/32	15/16	9/16	1-9/16	5/8	4-3/8	2-3/64	1-5/8	0.402	1/2	SB209-26G 209-27G 209-28G	FT209	1.86	4.10
7/8 15/16	SBFT210-30 210-31	7-7/16	6-3/16	1-3/8	9/16	1-27/32	5/8	4-9/16	2-5/32	1-23/32	0.430	1/2	SB210-30G 210-31G	FT210	2.00	4.4
2 1/8 3/16	SBFT211-32 211-34 211-35	8-1/2	7-1/4	1-17/64	13/16	1-31/32	45/64	5-1/4	2-5/16	1-25/37	0.466	9/16	SB211-32G 211-34G 211-35G	FT211	3.27	7.2
1/4 3/8 7/16	SBFT212-36 212-38 212-39	9-5/16	7-15/16	1-23/64	13/16	2-3/32	23/32	5-17/32	2-11/16	2-1/8	0.586	9/16	SB212-36G 212-38G 212-39G	FT212	4.04	8.9