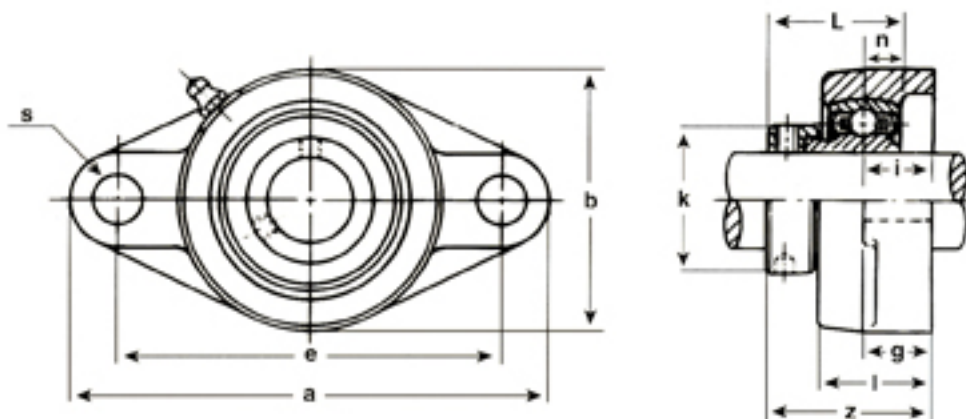


2-BOLT FLANGE UNITS

LIGHT DUTY INSERTS

SAFT200-SERIES



ECCENTRIC LOCKING COLLAR TYPE

Shaft Dia. in.	SST Unit No.	Dimensions (in.)											Bolt Used in.	Bearing No.	Housing No.	Weight	
		a	e	l	g	l	s	b	z	L	n	k				kg	lbs.
1/2	SAFT201-8	3-7/8	3	45/64	7/16	1	25/64	2-11/64	1-37/64	1.125	0.256	1-125	5/16	SA201-8G	FT203	0.39	0.85
5/8	202-10													202-10G			
3/4	SAFT204-12	4-13/16	3-17/32	3/4	7/16	1-5/32	13/32	2-3/8	1-21/32	1.218	0.295	1-1/4	5/16	SA204-12G	FT204	0.57	1.26
7/8	SAFT205-14													SA205-14G			
15/16	205-15	4-7/8	3-57/64	25/32	17/32	1-7/32	1/2	2-3/4	1-45/64	1.218	0.295	1-1/2	3/8	205-15G	FT205	0.82	1.81
1	205-16													205-16G			
1-1/16	SAFT206-17													SA206-17G			
1-1/8	206-18	5-9/16	4-19/32	53/64	17/32	1-11/32	1/2	3-1/4	1-7/8	1.406	0.354	1-3/4	3/8	206-18G	FT206	1.04	1.81
1-3/16	206-19													206-19G			
1-1/4	206-20													206-20G			
1-1/4	SAFT207-20													SA207-20G			
1-5/16	207-21	6-1/8	5-1/8	27/32	9/16	1-7/16	35-64	3-3/4	2-1/64	1.531	0.374	2-3/16	7/16	207-21G	FT207	1.59	3.51
1-3/8	207-22													207-22G			
1-7/16	207-23													207-23G			
1-1/2	SAFT208-24	6-3/4	5-21/32	15/16	9/16	1-17/32	35/64	4-1/8	2-7/32	1.719	0.433	2-3/8	7/16	SA208-24G	FT208	1.97	4.34
5/8	SAFT209-26													SA209-26G			
11/16	209-27	7-1/16	5-27/32	15/16	9/16	1-9/16	5/8	4-3/8	2-5/16	1-23/32	0.433	2-3/4	1/2	209-27G	FT209	2.09	4.61
3/4	209-28													209-28G			
7/8	SAFT210-30	7-7/16	6-3/16	1-1/8	9/16	1-27/32	5/8	4-9/16	2-5/8	1-23/32	0.433	2-3/4	1/2	SA210-30G	FT210	2.01	4.43
15/16	210-31													210-31G			
2	SAFT211-32													SA211-32G			
1/8	211-34	8-1/2	7-1/4	1-17/64	13/16	1-31/32	45/64	5-1/4	2-31/32	1-39/30	0.472	3	9/16	211-34G	FT211	3.08	6.79
3/16	211-35													211-35G			
1/4	SAFT212-36													SA212-36G			
3/8	212-38	9-5/16	7-15/16	1-23/64	13/16	2-3/32	23/32	5-17/36	3-1/4	1-15/16	0.472	3-5/16	9/16	212-38G	FT212	3.90	8.60
7/16	212-39													212-39G			