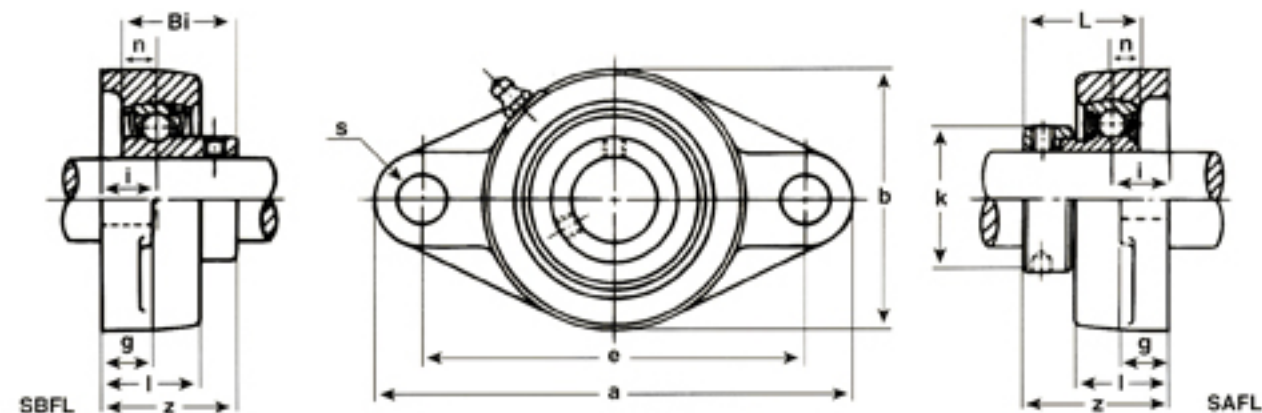


2-BOLT FLANGE UNITS

LIGHT DUTY INSERTS

SBFL200-SERIES
SAFL200-SERIES



SBFL200-SERIES
SET SCREW TYPE

Shaft Dia. in.	SST Unit No.	Dimensions (in.)										Bolt Used in.	Bearing No.	Housing No.	Weight	
		a	e	i	g	l	s	b	z	Bi	n				kg	lbs.
1/2 5/8	SBFL201-8 202-10	3-7/8	3	19/32	7/16	1	25/32	2-7/32	1-17/32	0.866	0.236	5/16	SB201-8G 202-10G	FL203	0.39	0.85
3/4	SBFL204-12	4-7/16	3-35/64	19/32	7/16	1	15/32	2-3/8	1-5/16	0.984	0.275	3/8	SB204-12G	FL204	0.47	1.04
7/8 15/16 1	SBFL205-14 205-15 205-16	5-1/8	3-57/64	5/8	1/2	1-1/16	5/8	2-11/16	1-15/32	1.062	0.295	1/2	SB205-14G 205-15G 205-16G	FL205	0.67	1.48
1-1/16 1-1/8 1-3/16 1-1/4	SBFL206-17 206-18 206-19 206-20	5-13/16	4-39/64	45/64	1/2	1-7/32	5/8	3-5/32	1-19/32	1.181	0.315	1/2	SB206-17G 206-18G 206-19G 206-20G	FL206	0.91	2.01
1-1/4 1-5/16 1-3/8 1-7/16	SBFL207-20 207-21 207-22 207-23	6-11/32	5-1/8	3/4	9/16	1-11/32	5/8	3-17/32	1-3/4	1.259	0.335	1/2	SB207-20G 207-21G 207-22G 207-23G	FL207	1.26	2.78
1-1/2	SBFL208-24	6-7/8	5-43/64	53/64	9/16	1-13/32	5/8	3-15/16	2-1/64	1.338	0.354	1/2	SB208-24G	FL208	1.61	3.55

SAFL200-SERIES
ECCENTRIC LOCKING COLLAR TYPE

Shaft Dia. in.	SST Unit No.	Dimensions (in.)										Bolt Used in.	Bearing No.	Housing No.	Weight		
		a	e	i	g	l	s	b	z	L	n				k	kg	lbs.
1/2 5/8	SAFL201-8 202-10	3-7/8	3	19/32	7/16	1	25/32	2-7/32	1-15/32	1.125	0.256	1.125	5/16	SA201-8G 202-10G	FL203	0.41	0.90
3/4	SAFL204-12	4-7/16	3-35/64	19/32	7/16	1	15/32	2-3/8	1-5/16	1.218	0.295	1-1/4	3/8	SA204-12G	FL204	0.49	1.08
7/8 15/16 1	SAFL205-14 205-15 205-16	5-1/8	3-57/64	5/8	1/2	1-1/16	5/8	2-11/16	1-15/32	1.218	0.295	1-1/2	1/2	SA205-14G 205-15G 205-16G	FL205	0.69	1.52
1-1/16 1-1/8 1-3/16 1-1/4	SAFL206-17 206-18 206-19 206-20	5-13/16	4-39/64	45/64	1/2	1-7/32	5/8	3-5/32	1-19/32	1.406	0.354	1-3/4	1/2	SA206-17G 206-18G 206-19G 206-20G	FL206	0.97	2.14
1-1/4 1-5/16 1-3/8 1-7/16	SAFL207-20 207-21 207-22 207-23	6-11/16	5-1/8	5/8	9/16	1-11/32	5/8	3-17/32	1-3/4	1.531	0.374	2-3/16	1/2	SA207-20G 207-21G 207-22G 207-23G	FL207	1.37	3.02
1-1/2	SAFL208-24	6-7/8	5-43/64	53/64	9/16	1-13/32	5/8	3-15/16	2-1/64	1.719	0.433	2-3/8	1/2	SA208-24G	FL208	1.69	3.73