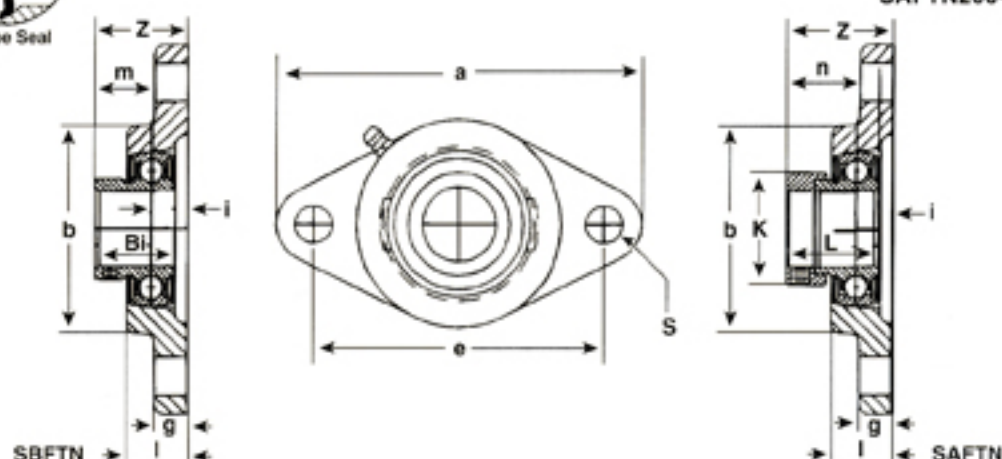


2-BOLT FLANGE UNITS



NARROW SERIES

SBFTN200-SERIES
SAFTN200-SERIES



SBFTN200-SERIES SET SCREW TYPE

Shaft Dia. in.	SST Unit No.	Dimensions (in.)										Bolt Used in.	Bearing No.	Housing No.
		a	e	l	g	l	s	b	z	Bi	m			
1/2 5/8	SBFTN201-8 202-10	3-7/8	3	0.448	3/8	23/32	7/16	2-1/8	1.078	0.866	0.630	3/8	SB201-8G 202-10G	FTN203
3/4	SBFTN204-12	4-13/32	3-17/32	0.495	7/16	13/16	7/16	2-1/2	1.203	0.984	0.708	3/8	SB204-12G	FTN204
7/8 15/16 1	SBFTN205-14 205-15 205-16	4-7/8	3-57/64	0.483	7/16	13/16	33/64	2-3/4	1.250	1.062	0.767	7/16	SB205-14G 205-15G 205-16G	FTN205
1-1/16 1-1/8 1-3/16 1-1/4	SBFTN206-17 206-18 206-19 206-20	5-9/16	4-19/32	0.478	17/32	61/64	33/64	3-1/8	1.344	1.181	0.866	7/16	SB206-17G 206-18G 206-19G 206-20G	FTN206
1-1/4 1-5/16 1-3/8 1-7/16	SBFTN207-20 207-21 207-22 207-23	6-1/8	5-1/8	0.575	19/32	1-3/64	35/64	3-5/8	1.500	1.259	0.925	1/2	SB207-20G 207-21G 207-22G 207-23G	FTN207
1-1/2 1-9/16	SBFTN208-24 208-25	6-3/4	5-21/32	0.610	5/8	1-1/8	35/64	4-1/8	1.594	1.338	0.984	1/2	SB208-24G 208-25G	FTN208
1-5/8 1-11/16 1-3/4	SBFTN209-26 209-27 209-28	7-1/16	5-27/32	0.544	5/8	1-1/8	5/8	4-3/8	1.610	1.439	1.066	9/16	SB209-26G 209-27G 209-28G	FTN209

SAFTN200-SERIES ECCENTRIC LOCKING COLLAR TYPE

Shaft Dia. in.	SST Unit No.	Dimensions (in.)											Bolt Used in.	Bearing No.	Housing No.
		a	e	l	g	l	s	b	z	Bi	m	K			
1/2 5/8	SAFTN201-8 202-10	3-7/8	3	0.448	3/8	23/32	7/16	2-1/8	1.317	1.125	0.256	1-1/8	3/8	SA201-8G 202-10G	FTN203
3/4	SAFTN204-12	4-13/32	3-17/32	0.495	7/16	13/16	7/16	2-1/2	1.418	1.218	0.295	1-1/4	3/8	SA204-12G	FTN204
7/8 15/16 1	SAFTN205-14 205-15 205-16	4-7/8	3-57/64	0.483	7/16	13/16	33/64	2-3/4	1.406	1.218	0.295	1-1/2	7/16	SA205-14G 205-15G 205-16G	FTN205
1-1/16 1-1/8 1-3/16 1-1/4	SAFTN206-17 206-18 206-19 206-20	5-9/16	4-19/32	0.478	17/32	61/64	33/64	3-1/8	1.530	1.406	0.354	1-3/4	7/16	SA206-17G 206-18G 206-19G 206-20G	FTN206
1-1/4 1-5/16 1-3/8 1-7/16	SAFTN207-20 207-21 207-22 207-23	6-1/8	5-1/8	0.575	19/32	1-3/64	35/64	3-5/8	1.732	1.531	0.374	2-3/16	1/2	SA207-20G 207-21G 207-22G 207-23G	FTN207
1-1/2 1-9/16	SAFTN208-24 208-25	6-3/4	5-21/32	0.610	5/8	1-1/8	35/64	4-1/8	1.896	1.719	0.433	2-3/8	1/2	SA208-24G 208-25G	FTN208
1-5/8 1-11/16 1-3/4	SAFTN209-26 209-27 209-28	7-1/16	5-27/32	0.544	5/8	1-1/8	5/8	4-3/8	1.829	1.719	0.433	2-1/2	9/16	SA209-26G 209-27G 209-28G	FTN209