



# 2-BOLT FLANGE UNIT

## LIGHT DUTY CAST IRON HOUSINGS

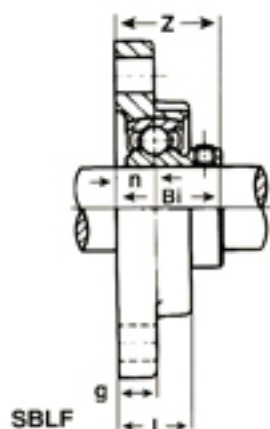
SBLF200-SERIES  
SALF200-SERIES



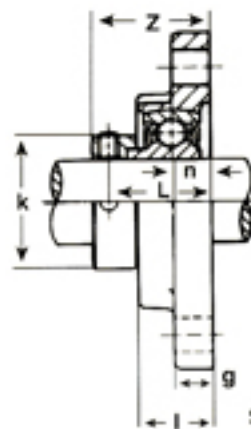
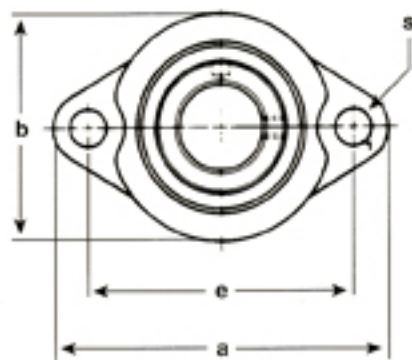
B type Seal

P type Seal

A type Seal



SBLF



SALF

SBLF200-SERIES  
SET SCREW TYPE

Shaft Dia. in.	SST Unit No.	Dimensions (in.)										Bolt Used in.	Bearing No.	Housing No.	Weight	
		a	e	g	l	s	b	z	Bi	n	kg				lbs.	
1/2 5/8	SBLF201-8 202-10	3-3/16	2-1/2	3/8	23/32	5/16	2-7/32	1	0.866	0.236	1/4	SB201-8 202-10	LF203	0.27	0.60	
3/4	SBLF204-12	3-17/32	2-13/16	7/16	25/32	25/64	2-13/32	1-5/32	0.984	0.275	5/16	SB204-12	LF204	0.30	0.66	
7/8 15/16 1	SBLF205-14 205-15 205-16	3-3/4	2-63/64	7/16	25/32	25/64	2-17/32	1-3/16	1.062	0.295	5/16	SB205-14 205-15 205-16	LF205	0.39	0.86	
1-1/16 1-1/8 1-3/16 1-1/4	SBLF206-17 206-18 206-19 206-20	4-7/16	3-9/16	15/32	7/8	15/32	3	1-11/32	1.181	0.315	3/8	SB206-17 206-18 206-19 206-20	LF206	0.56	1.23	
1-1/4 1-5/16 1-3/8 1-7/16	SBLF207-20 207-21 207-22 207-23	4-13/16	3-15/16	33/64	15/16	15/32	3-1/2	1-7/16	1.259	0.335	3/8	SB207-20 207-21 207-22 207-23	LF207	0.77	1.70	

SALF200-SERIES  
ECCENTRIC LOCKING COLLAR TYPE

Shaft Dia. in.	SST Unit No.	Dimensions (in.)										Bolt Used in.	Bearing No.	Housing No.	Weight	
		a	e	g	l	s	b	z	L	n	k				kg	lbs.
1/2 5/8	SALF201-8 202-10	3-3/16	2-1/2	3/8	23/32	5/16	2-7/32	1-1/4	1.125	0.256	1-1/8	1/4	SA201-8 202-10	LF203	0.30	0.66
3/4	SALF204-12	3-17/32	2-13/16	7/16	25/32	25/64	2-13/32	1-3/8	1.128	0.295	1-1/4	5/16	SA204-12	LF204	0.34	0.75
7/8 15/16 1	SALF205-14 205-15 205-16	3-3/4	2-63/64	7/16	25/32	25/64	2-17/32	1-3/8	1.128	0.295	1-1/2	5/16	SA205-14 205-15 205-16	LF205	0.44	0.97
1-1/16 1-1/8 1-3/16 1-1/4	SALF206-17 206-18 206-19 206-20	4-7/16	3-9/16	15/32	7/8	15/32	3	1-17/32	1.406	0.354	1-3/4	3/8	SA206-17 206-18 206-19 206-20	LF206	0.64	1.41
1-1/4 1-5/16 1-3/8 1-7/16	SALF207-20 207-21 207-22 207-23	4-13/16	3-15/16	33/64	15/16	15/32	3-1/2	1-11/16	1.531	0.374	2-3/16	3/8	SA207-20 207-21 207-22 207-23	LF207	0.92	2.03

Note: To specify relubricatable units, add "G" suffix, (e.g., SBLF205-16G).