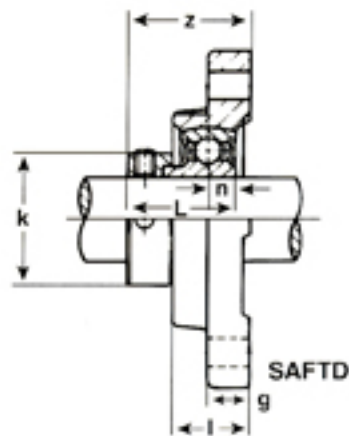
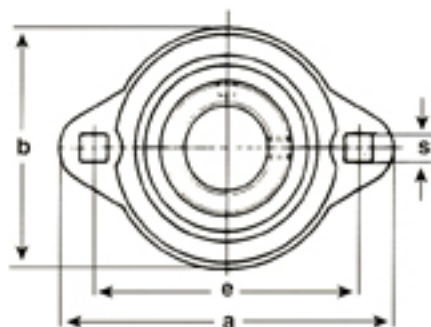
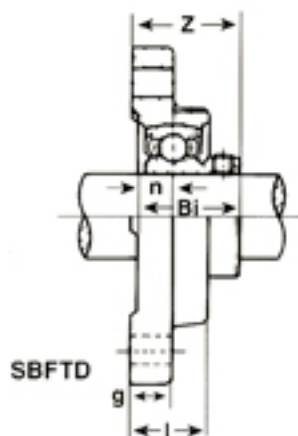


2-BOLT FLANGE UNITS



LIGHT DUTY DUCTILE IRON HOUSINGS

SBFTD200-SERIES
SAFTD200-SERIES



SBFTD200-SERIES SET SCREW TYPE

Shaft Dia. in.	SST Unit No.	Dimensions (in.)									Bolt Used in.	Bearing No.	Housing No.	Weight	
		a	e	g	l	s	b	Z	Bl	n				kg	lbs.
1/2	SBFTD201-8	3-1/4	2-9/16	27/64	23/32	9/32	2-9/32	1-7/64	0.866	0.236	1/4	SB201-8	PFTD203	0.23	0.51
5/8	202-10											202-10			
3/4	SBFTD204-12	3-11/16	2-13/16	7/16	49/64	11/32	2-39/64	1-13/64	0.984	0.275	5/16	SB204-12	PFTD204	0.27	0.60
7/8	SBFTD205-14	3-7/8	3	7/16	51/64	11/32	2-23/32	1-17/64	1.062	0.295	5/16	SB205-14	PFTD205	0.38	0.84
15/16	205-15											205-15			
1	205-16											205-16			
1-1/16	SBFTD206-17	4-9/16	3-17/32	1/2	55/64	13/32	3-13/64	1-13/32	1.181	0.315	3/8	SB206-17	PFTD206	0.54	1.19
1-1/8	206-18											206-18			
1-3/16	206-19											206-19			
1-1/4	206-20											206-20			
1-1/4	SBFTD207-20	4-13/16	3-15/16	1/2	15/16	13/32	3-33/64	1-17/32	1.181	0.315	3/8	SB207-20	PFTD207	0.71	1.57
1-5/16	207-21											207-21			
1-3/8	207-22											207-22			
1-7/16	207-23											207-23			

SAFTD200-SERIES ECCENTRIC LOCKING COLLAR TYPE

Shaft Dia. in.	SST Unit No.	Dimensions (in.)										Bolt Used in.	Bearing No.	Housing No.	Weight	
		a	e	g	l	s	b	z	L	n	k				kg	lbs.
1/2	SAFTD201-8	3-3/16	2-9/16	27/64	23/32	9/32	2-9/32	1-21/64	1.125	0.256	1-1/8	1/4	SA201-8	PFTD203	0.26	0.57
5/8	202-10												202-10			
3/4	SAFTD204-12	3-11/16	2-13/16	7/16	49/64	11/32	2-39/64	1-7/16	1.218	0.295	1-1/4	5/16	SA204-12	PFTD204	0.29	0.64
7/8	SAFTD205-14	3-7/8	3	7/16	51/64	11/32	2-23/32	1-27/64	1.218	0.295	1-1/2	5/16	SA205-14	PFTD205	0.40	0.88
15/16	205-15												205-15			
1	205-16												205-16			
1-1/16	SAFTD206-17	4-9/16	3-17/32	1/2	55/64	11/32	3-13/64	1-41/64	1.406	0.354	1-3/4	3/8	SA206-17	PFTD206	0.60	1.32
1-1/8	206-18												206-18			
1-3/16	206-19												206-19			
1-1/4	206-20												206-20			
1-1/4	SAFTD207-20	4-13/16	3-15/16	1/2	15/16	13/32	3-33/64	1-51/64	1.531	0.374	2-3/16	3/8	SA207-20	PFTD207	0.84	1.85
1-5/16	207-21												207-21			
1-3/8	207-22												207-22			
1-7/16	207-23												207-23			

Note: To specify relubricatable units, add "G" suffix. (e.g., SBFTD205-16G).