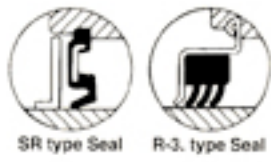
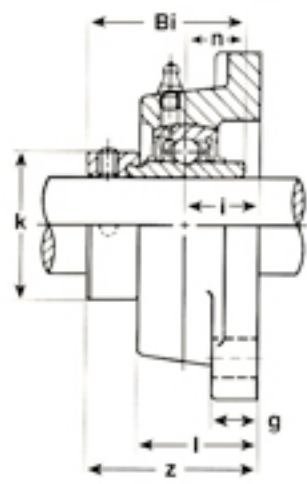
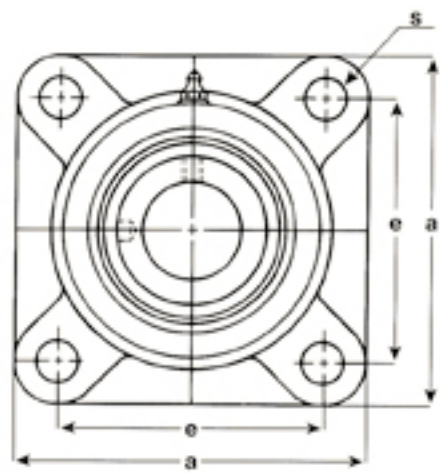


4-BOLT FLANGE UNITS



SET SCREW TYPE

UCFS200-SERIES



Shaft Dia.		SST Unit No.	Dimensions (in.)									Bolt Used in.	Bearing No.	Housing No.	Weight	
mm	in.		a	e	l	g	l	s	z	Bi	n				kg	lbs.
12	1/2	UCFS201-8	3-3/8	2-1/2	0.811	3/8	1-5/16	7/16	1-55/64	1.2205	0.500	3/8	UC201-8	FS204	0.76	1.68
	5/8	202-10											202-10			
	3/4	204-12											204-12			
		UCFS201											202			
		203											203			
15		UCFS204											204			
17		202											202			
20		203											203			
25		UCFS205											204			
25	7/8	UCFS205-14	3-3/4	2-3/4	0.827	7/16	1-3/8	29/64	1-57/64	1.3386	0.563	3/8	UC205-14	FS205	1.03	2.77
	15/16	205-15											205-15			
	1	205-16											205-16			
		UCFS205											UC205			
30	1-1/16	UCFS206-17	4-1/4	3-1/4	0.890	1/2	1-15/32	33/64	2-5/64	1.5000	0.626	7/16	UC206-17	FS206	1.40	3.09
	1-1/8	206-18											206-18			
	1-3/16	206-19											206-19			
	1-1/4	206-20											206-20			
		UCFS206											UC206			
35	1-1/4	UCFS207-20	4-5/8	3-5/8	0.874	1/2	1-1/2	33/64	2-5/32	1.6890	0.689	7/16	UC207-20	FS207	1.82	4.01
	1-5/16	207-21											207-21			
	1-3/8	207-22											207-22			
	1-7/16	207-23											207-23			
		UCFS207											UC207			
40	1-1/2	UCFS208-24	5-1/8	4	0.969	5/8	1-5/8	35/64	2-11/32	1.9370	0.748	1/2	UC208-24	FS208	2.17	4.78
	1-9/16	208-25											208-25			
		UCFS208											UC208			
45	1-5/8	UCFS209-26	5-3/8	4-1/8	0.969	5/8	1-21/32	5/8	2-11/32	1.9370	0.748	9/16	UC209-26	FS209	2.56	5.64
	1-11/16	209-27											209-27			
	1-3/4	209-28											209-28			
		UCFS209											UC209			
50	1-7/8	UCFS210-30	5-5/8	4-3/8	1.094	5/8	1-13/16	5/8	2-19/32	2.0315	0.748	9/16	UC210-30	FS210	3.00	6.61
	1-15/16	210-31											210-31			
		UCFS210											UC210			
55	2	UCFS211-32	6-3/8	5-1/8	1.220	11/16	1-31/32	43/64	2-15/16	2.1890	0.874	5/8	UC211-32	FS211	3.91	8.62
	2-1/8	211-34											211-34			
	2-3/16	211-35											211-35			
		UCFS211											UC211			
60	2-1/4	UCFS212-36	6-7/8	5-5/8	1.343	11/16	2-5/32	43/64	3-3/16	2.5630	1.000	5/8	UC212-36	FS212	4.95	10.9
	2-3/8	212-38											212-38			
	2-7/16	212-39											212-39			
		UCFS212											UC212			