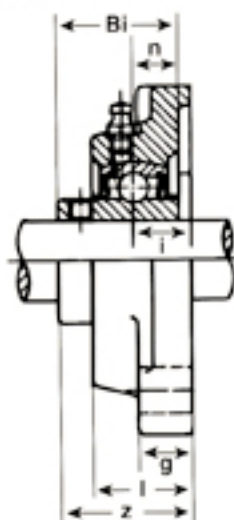
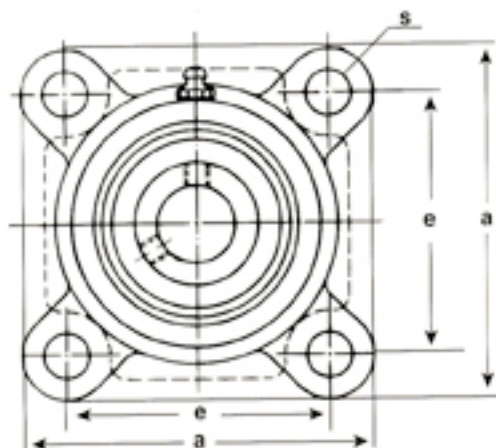


# 4-BOLT FLANGE UNITS

## SET SCREW TYPE—MEDIUM DUTY SERIES

UCFX00-SERIES



SR type Seal



R-3 type Seal

Shaft Dia. in.	SST Unit No.	Dimensions (in.)									Bolt Used in.	Bearing No.	Housing No.	Weight	
		a	e	g	l	s	b	z	Bi	n				kg	lbs.
7/8 15/16 1	UCFX05-14 X05-15 X05-16	4-1/4	3-17/64	45/64	1/2	1-3/16	15/32	1-19/32	1.5000	0.6259	3/8	UCX05-14 X05-15 X05-16	FX05	1.28	2.82
1-1/8 1-3/16 1-1/4	UCFX06-18 X06-19 X06-20	4-19/32	3-5/8	3/4	9/16	1-11/32	5/8	1-3/4	1.6890	0.6890	1/2	UCX06-18 X06-19 X06-20	FX06	1.65	3.64
1-1/4 1-5/16 1-3/8 1-7/16	UCFX07-20 X07-21 X07-22 X07-23	5-1/8	4-1/64	53/64	9/16	1-1/2	5/8	2-1/32	1.9370	0.7480	1/2	UCX07-20 X07-21 X07-22 X07-23	FX07	2.12	4.67
1-1/2 1-9/16	UCFX08-24 X08-25	5-13/32	4-9/64	55/64	9/16	1-9/16	3/4	2-1/6	1.9370	0.7480	5/8	UCX08-24 X08-25	FX08	2.15	4.74
1-5/8 1-11/16 1-3/4	UCFX09-26 X09-27 X09-28	5-5/8	4-3/8	29/32	9/16	1-9/16	3/4	2-3/16	2.0135	0.7480	5/8	UCX09-26 X09-27 X09-28	FX09	2.59	5.71
1-7/8 1-15/16 2	UCFX10-30 X10-31 X10-32	6-3/8	5-1/8	1-1/32	25/32	1-23/32	3/4	2-11/32	2.1890	0.8740	5/8	UCX10-30 X10-31 X10-32	FX10	3.85	8.49
2-1/8 2-3/16 2-1/4	UCFX11-34 X11-35 X11-36	6-7/8	5-5/8	1-9/64	25/32	1-15/16	3/4	2-23/32	2.5630	1.0000	5/8	UCX11-34 X11-35 X11-36	FX11	5.21	11.5
2-3/8 2-7/16	UCFX12-38 X12-39	7-3/8	5-55/64	1-11/32	13/16	2-5/16	3/4	2-29/32	2.5630	1.0000	5/8	UCX12-38 X12-39	FX12	5.65	12.5
2-1/2	UCFX13-40	7-3/8	5-55/64	1-11/32	13/16	2-5/16	3/4	3-3/32	2.9370	1.1890	5/8	UCX13-40	FX13	6.00	13.2
2-3/4	UCFX14-44	7-3/4	5-63/64	1-29/64	7/8	2-3/8	29/32	3-7/32	3.0630	1.3110	3/4	UCX14-44	FX14	7.40	16.3
2-15/16 3	UCFX15-47 X15-48	7-3/4	5-63/64	1-37/64	15/16	2-11/16	29/32	3-17/32	3.2520	1.3110	3/4	UCX15-47 X15-48	FX15	8.35	18.4