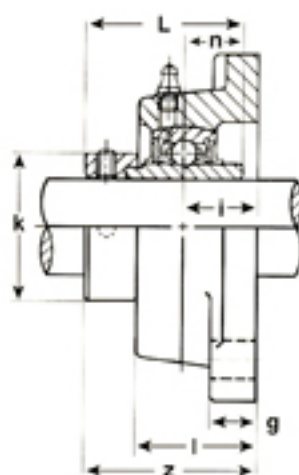
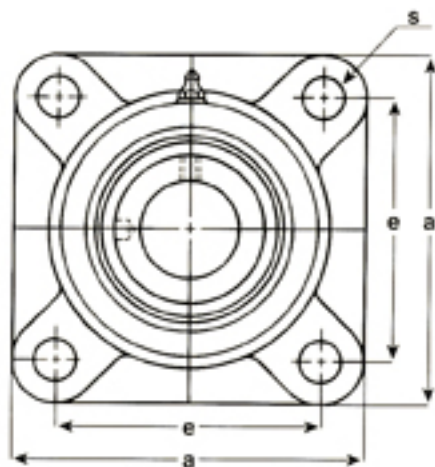
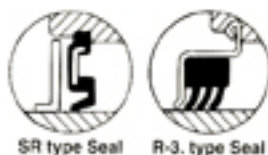


# 4-BOLT FLANGE UNITS

## ECCENTRIC LOCKING COLLAR TYPE

HCFS200-SERIES



Shaft Dia.		SST Unit No.	Dimensions (in.)										Bolt Used in.	Bearing No.	Housing No.	Weight	
mm	in.		a	e	i	g	l	s	z	L	n	k				kg	lbs.
20	3/4	HCFS204-12	3-3/8	2-1/2	0.811	3/8	1-5/16	7/16	1-55/64	1.7126	0.6693	1-1/4	3/8	HC204-12	FS204	0.80	1.76
														HC204			
25	7/8	HCFS205-14	3-3/4	2-3/4	0.827	7/16	1-3/8	29/64	1-57/64	1.7441	0.6850	1-1/2	3/8	HC205-14	FS205	1.05	2.32
	15/16	205-15												205-15			
	1	205-16												205-16			
		HC205												HC205			
30	1-1/16	HCFS206-17	4-1/4	3-1/4	0.890	1/2	1-15/32	33/64	2-5/64	1.9016	0.7165	1-3/4	7/16	HC206-17	FS206	1.45	3.20
	1-1/8	206-18												206-18			
	1-3/16	206-19												206-19			
	1-1/4	206-20												206-20			
		HC206												HC206			
35	1-1/4	HCFS207-20	4-5/8	3-5/8	0.874	1/2	1-1/2	33-64	2-5/32	2.0118	0.7402	2-3/16	7/16	HC207-20	FS207	1.90	4.19
	1-5/16	207-21												207-21			
	1-3/8	207-22												207-22			
	1-7/16	207-23												207-23			
	HC207	HC207															
40	1-1/2	HCFS208-24	5-1/8	4	0.969	5/8	1-5/8	35/64	2-11/32	2.2165	0.8425	2-3/8	1/2	HC208-24	FS208	2.30	5.07
	1-9/16	208-25												208-25			
		HC208												HC208			
45	1-5/8	HCFS209-26	5-3/8	4-1/8	0.969	5/8	1-21/32	5/8	2-11/32	2.2165	0.8425	2-1/2	9/16	HC209-26	FS209	2.70	5.95
	1-11/16	209-27												209-27			
	1-3/4	209-28												209-28			
	HC209	HC209															
50	1-7/8	HCFS210-30	5-5/8	4-3/8	1.094	5/8	1-13/16	5/8	2-19/32	2.4685	0.9685	2-3/4	9/16	HC210-30	FS210	3.20	7.06
	1-15/16	210-31												210-31			
	HC210	HC210															
55	2	HCFS211-32	6-3/8	5-1/8	1.220	11/16	1-31/32	43/64	2-15/16	2.8110	1.0906	3	5/8	HC211-32	FS211	4.20	9.26
	2-1/8	211-34												211-34			
	2-3/16	211-35												211-35			
		HC211												HC211			
60	2-1/4	HCFS212-36	6-7/8	5-5/8	1.343	11/16	2-5/32	43/64	3-3/16	3.0630	1.2165	3-5/16	5/8	HC212-36	FS212	5.30	11.7
	2-3/8	212-38												212-38			
	2-7/16	212-39												212-39			
		HC212												HC212			