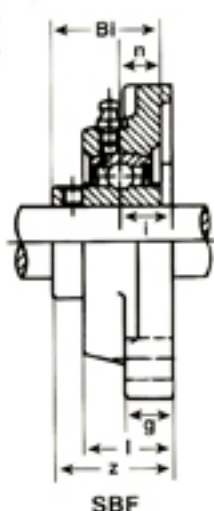


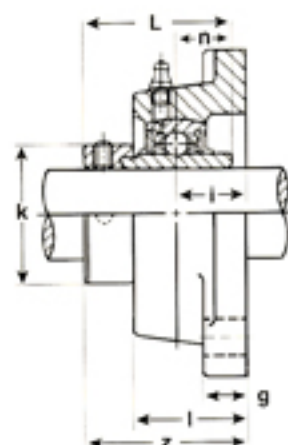
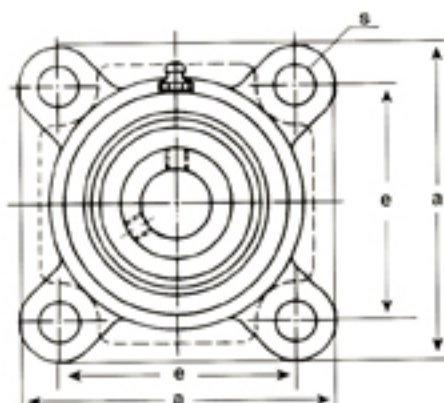
4-BOLT FLANGE UNITS

LIGHT DUTY INSERTS

SBF200-SERIES
SAF200-SERIES



SBF



SAF



B type Seal



P type Seal



A type Seal

SBF200-SERIES
SET SCREW TYPE

Shaft Dia. in.	SST Unit No.	Dimensions (in.)									Bolt Used in.	Bearing No.	Housing No.	Weight	
		a	e	i	g	l	s	z	Bi	n				kg	lbs.
1/2	SBF201-8	3	2-1/8	21/32	27/64	1	15/32	1-13/64	7/8	0.236	23/32	SB201-8G 202-10G	F203	0.39	0.85
5/8	SBF202-10														0.41
3/4	SBF204-12	3-3/8	2-33/64	19/32	15/32	1	15/32	1-5/16	0.984	0.275	3/8	SB204-12G SB205-14G 205-15G 205-16G	F204	0.62	1.37
7/8	SBF205-14														0.82
15/16	205-15	3-3/4	2-3/4	5/8	9/16	1-1/16	15/32	1-13/32	1.062	0.295	3/8		F205	0.82	1.81
1	205-16														
1-1/16	SBF206-17											SB206-17G 206-18G 206-19G 206-20G	F206	1.08	2.38
1-1/8	206-18	4-1/4	3-17/64	45/64	9/16	1-7/32	15/32	1-19/32	1.181	0.315	3/8				
1-3/16	206-19												F207	1.51	3.33
1-1/4	206-20														
1-1/4	SBF207-20											SB207-20G 207-21G 207-22G 207-23G	F207	1.51	3.33
1-5/16	207-21	4-19/32	3-5/8	3/4	5/8	1-11/32	35/64	1-11/16	1.259	0.335	7/16				
1-3/8	207-22												F208	1.97	4.34
1-7/16	207-23														
1-1/2	SBF208-24	5-1/8	4-1/64	53/64	5/8	1-13/32	5/8	1-13/16	1.338	0.354	1/2	SB208-24G	F208	1.97	4.34

SAF200-SERIES
ECCENTRIC LOCKING COLLAR TYPE

Shaft Dia. in.	SST Unit No.	Dimensions (in.)										Bolt Used in.	Bearing No.	Housing No.	Weight	
		a	e	i	g	l	s	z	L	n	k				kg	lbs.
1/2	SAF201-8	3	2-1/8	21/32	27/64	1	15/32	1-1/2	1-1/8	0.256	3/8	3/8	SA201-8G 202-10G	F203	0.42	0.93
5/8	SAF202-10															
3/4	SAF204-12	3-3/8	2-33/64	19/32	15/32	1	15/32	1-17/32	1.218	0.295	1-1/4	3/8	SA204-12G SA205-14G 205-15G 205-16G	F204	0.64	1.41
7/8	SAF205-14															
15/16	205-15	3-3/4	2-3/4	5/8	9/16	1-1/16	15/32	1-9/16	1.218	0.295	1-1/2	3/8		F205	0.84	1.85
1	205-16															
1-1/16	SAF206-17												SA206-17G 206-18G 206-19G 206-20G	F206	1.14	2.51
1-1/8	206-18	4-1/4	3-17/64	45/64	9/16	1-7/32	15/32	1-49/64	1.406	0.354	1-3/4	3/8				
1-3/16	206-19												F207	1.62	3.57	
1-1/4	206-20															
1-1/4	SAF207-20												SA207-20G 207-21G 207-22G 207-23G	F207	1.62	3.57
1-5/16	207-21	4-19/32	3-5/8	3/4	5/8	1-11/32	35/64	1-59/64	1.531	0.374	2-3/16	7/16				
1-3/8	207-22												F208	2.05	4.52	
1-7/16	207-23															
1-1/2	SAF208-24	5-1/8	4-1/64	53/64	5/8	1-13/32	5/8	2-1/8	1.719	0.433	2-3/8	1/2	SA208-24G	F208	2.05	4.52