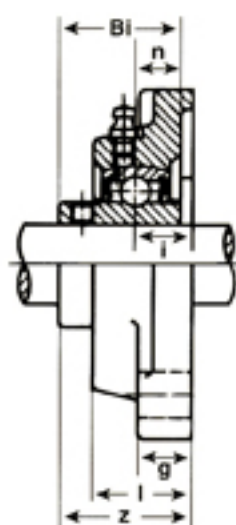


4-BOLT FLANGE UNITS

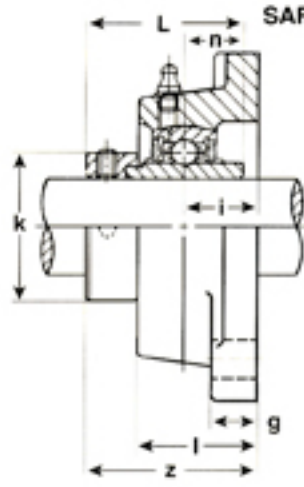
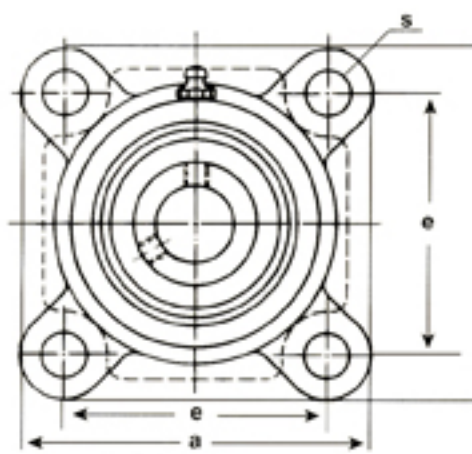
LIGHT DUTY INSERTS



SBFS200-SERIES
SAFS200-SERIES



SBFS



SAFS

SBFS200-SERIES SET SCREW TYPE

Shaft Dia. in.	SST Unit No.	Dimensions (in.)									Bolt Used in.	Bearing No.	Housing No.	Weight	
		a	e	i	g	l	s	z	Bi	n				kg	lbs.
3/4	SBFS204-12	3-3/8	2-1/2	0.811	3/8	1-5/16	7/16	1-33/64	0.984	0.275	3/8	SB204-12G	FS204	0.73	1.61
7/8	SBFS205-14	3-3/4	2-3/4	0.827	7/16	1-3/8	29/64	1-19/32	1.062	0.295	3/8	SB205-14G	FS205	1.00	2.21
15/16	205-15											205-15G			
1	205-16											205-16G			
1-1/16	SBFS206-17	4-1/4	3-1/4	0.890	1/2	1-15/32	33/64	1-49/64	1.181	0.315	7/16	SB206-17G	FS206	1.33	2.93
1-1/8	206-18											206-18G			
1-3/16	206-19											206-19G			
1-1/4	206-20											206-20G			
1-1/4	SBFS207-20	4-5/8	3-5/8	0.874	1/2	1-1/2	33/64	1-13/16	1.259	0.335	7/16	SB207-20G	FS207	1.73	3.81
1-5/16	207-21											207-21G			
1-3/8	207-22											207-22G			
1-7/16	207-23											207-23G			
1-1/2	SBFS208-24	5-1/8	4	0.969	5/8	1-5/8	35/64	1-61/64	1.338	0.354	1/2	SB208-24G	FS208	2.09	4.61

SAFS200-SERIES ECCENTRIC LOCKING COLLAR TYPE

Shaft Dia. in.	SST Unit No.	Dimensions (in.)									Bolt Used in.	Bearing No.	Housing No.	Weight	
		a	e	i	g	s	z	L	n	k				kg	lbs.
3/4	SAFS204-12	3-3/8	2-1/2	0.811	3/8	7/16	1-47/64	1.218	0.295	1-1/4	3/8	SA204-12G	FS204	0.75	1.65
7/8	SAFS205-14	3-3/4	2-3/4	0.827	7/16	29/64	1-3/4	1.218	0.295	1-1/2	3/8	SA205-14G	FS205	1.02	2.25
15/16	205-15											205-15G			
1	205-16											205-16G			
1-1/16	SAFS206-17	4-1/4	3-1/4	0.890	1/2	33/64	1-61/64	1.406	0.354	1-3/4	7/16	SA206-17G	FS206	1.39	3.06
1-1/8	206-18											206-18G			
1-3/16	206-19											206-19G			
1-1/4	206-20											206-20G			
1-1/4	SAFS207-20	4-5/8	3-5/8	0.874	1/2	33/64	2-3/64	1.531	0.374	2-3/16	7/16	SA207-20G	FS207	1.84	4.06
1-5/16	207-21											207-21G			
1-3/8	207-22											207-22G			
1-7/16	207-23											207-23G			
1-1/2	SAFS208-24	5-1/8	4	0.969	5/8	35/64	2-1/4	1.719	0.433	2-3/8	1/2	SA208-24G	FS208	2.17	4.78