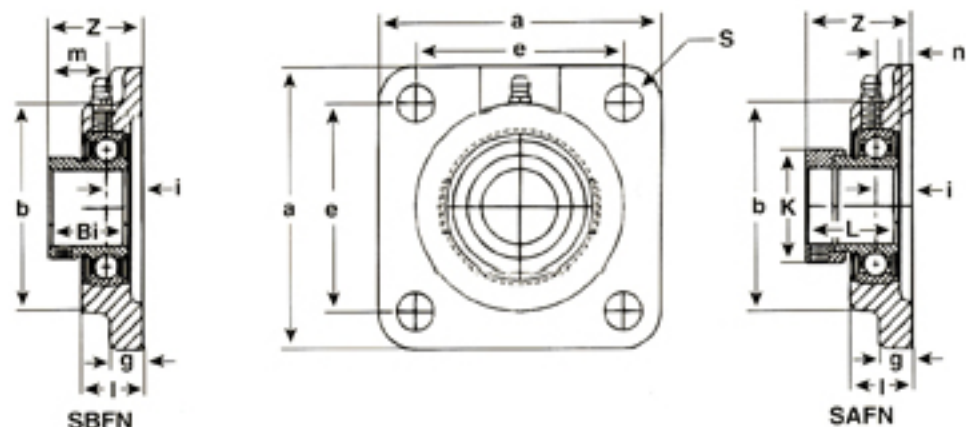


4-BOLT FLANGE UNITS

NARROW SERIES

SBFN200-SERIES
SAFN200-SERIES



SBFN200-SERIES
SET SCREW TYPE

| Shaft Dia. in. | SST Unit No. | Dimensions (in.) | | | | | | | | | | Bolt Used in. | Bearing No. | Housing No. |
|-------------------|-----------------|------------------|-------|-------|-------|--------|-------|-------|-------|-------|-------|---------------------|----------------|----------------|
| | | a | e | i | g | l | s | b | z | Bi | m | | | |
| 1/2 | SBFN201-8 | 3 | 2-1/8 | 0.448 | 3/8 | 23/32 | 7/16 | 2-1/8 | 1.078 | 0.866 | 0.630 | 3/8 | SB201-8G | FN203 |
| 5/8 | 202-10 | | | | | | | | | | | | 202-10G | |
| 3/4 | SBFN204-12 | 3-3/8 | 2-1/2 | 0.495 | 7/16 | 13/16 | 7/16 | 2-1/2 | 1.203 | 0.984 | 0.708 | 3/8 | SB204-12G | FN204 |
| 7/8 | SBFN205-14 | 3-3/4 | 2-3/4 | 0.483 | 7/16 | 13/16 | 33/64 | 2-3/4 | 1.250 | 1.062 | 0.767 | 7/16 | SB205-14G | FN205 |
| 15/16 | 205-15 | | | | | | | | | | | | 205-15G | |
| 1 | 205-16 | | | | | | | | | | | | 205-16G | |
| 1-1/16 | SBFN206-17 | 4-1/4 | 3-1/4 | 0.478 | 17/32 | 61/64 | 33/64 | 3-1/8 | 1.344 | 1.181 | 0.866 | 7/16 | SB206-17G | FN206 |
| 1-1/8 | 206-18 | | | | | | | | | | | | 206-18G | |
| 1-3/16 | 206-19 | | | | | | | | | | | | 206-19G | |
| 1-1/4 | 206-20 | | | | | | | | | | | | 206-20G | |
| 1-1/4 | SBFN207-20 | 4-5/8 | 3-5/8 | 0.575 | 19/32 | 1-3/64 | 35/64 | 3-5/8 | 1.500 | 1.259 | 0.925 | 1/2 | SB207-20G | FN207 |
| 1-5/16 | 207-21 | | | | | | | | | | | | 207-21G | |
| 1-3/8 | 207-22 | | | | | | | | | | | | 207-22G | |
| 1-7/16 | 207-23 | | | | | | | | | | | | 207-23G | |
| 1-1/2 | SBFN208-24 | 5-1/8 | 4 | 0.610 | 5/8 | 1-1/8 | 35/64 | 4-1/8 | 1.594 | 1.338 | 0.884 | 1/2 | SB208-24G | FN208 |
| 1-9/16 | 208-25 | | | | | | | | | | | | 208-25G | |
| 1-5/8 | SBFN209-26 | 5-3/8 | 4-1/8 | 0.544 | 5/8 | 1-1/8 | 5/8 | 4-3/8 | 1.610 | 1.439 | 1.066 | 9/16 | SB209-26G | FN209 |
| 1-11/16 | 209-27 | | | | | | | | | | | | 209-27G | |
| 1-3/4 | 209-28 | | | | | | | | | | | | 209-28G | |

SAFN200-SERIES
ECCENTRIC LOCKING COLLAR TYPE

| Shaft Dia. in. | SST Unit No. | Dimensions (in.) | | | | | | | | | | | Bolt Used in. | Bearing No. | Housing No. |
|-------------------|-----------------|------------------|-------|-------|-------|--------|-------|-------|-------|-------|-------|--------|---------------------|----------------|----------------|
| | | a | e | i | g | l | s | b | z | L | n | K | | | |
| 1/2 | SAFN201-8 | 3 | 2-1/8 | 0.448 | 3/8 | 23/32 | 7/16 | 2-1/8 | 1.317 | 1.125 | 0.256 | 1-1/8 | 3/8 | SA201-8G | FN203 |
| 5/8 | 202-10 | | | | | | | | | | | | | 202-10G | |
| 3/4 | SAFN204-12 | 3-3/8 | 2-1/2 | 0.495 | 7/16 | 13/16 | 7/16 | 2-1/2 | 1.418 | 1.218 | 0.295 | 1-1/4 | 3/8 | SA204-12G | FN204 |
| 7/8 | SAFN205-14 | 3-3/4 | 2-3/4 | 0.483 | 7/16 | 13/16 | 33/64 | 2-3/4 | 1.406 | 1.218 | 0.295 | 1-1/2 | 7/16 | SA205-14G | FN205 |
| 15/16 | 205-15 | | | | | | | | | | | | | 205-15G | |
| 1 | 205-16 | | | | | | | | | | | | | 205-16G | |
| 1-1/16 | SAFN206-17 | 4-1/4 | 3-1/4 | 0.478 | 17/32 | 61/64 | 33/64 | 3-1/8 | 1.530 | 1.406 | 0.354 | 1-3/4 | 7/16 | SA206-17G | FN206 |
| 1-1/8 | 206-18 | | | | | | | | | | | | | 206-18G | |
| 1-3/16 | 206-19 | | | | | | | | | | | | | 206-19G | |
| 1-1/4 | 206-20 | | | | | | | | | | | | | 206-20G | |
| 1-1/4 | SAFN207-20 | 4-5/8 | 3-5/8 | 0.575 | 19/32 | 1-3/64 | 35/64 | 3-5/8 | 1.732 | 1.531 | 0.374 | 2-3/16 | 1/2 | SA207-20G | FN207 |
| 1-5/16 | 207-21 | | | | | | | | | | | | | 207-21G | |
| 1-3/8 | 207-22 | | | | | | | | | | | | | 207-22G | |
| 1-7/16 | 207-23 | | | | | | | | | | | | | 207-23G | |
| 1-1/2 | SAFN208-24 | 5-1/8 | 4 | 0.610 | 5/8 | 1-1/8 | 35/64 | 4-1/8 | 1.896 | 1.719 | 0.433 | 2-3/8 | 1/2 | SA208-24G | FN208 |
| 1-9/16 | 208-25 | | | | | | | | | | | | | 208-25G | |
| 1-5/8 | SAFN209-26 | 5-3/8 | 4-1/8 | 0.544 | 5/8 | 1-1/8 | 5/8 | 4-3/8 | 1.829 | 1.719 | 0.433 | 2-1/2 | 9/16 | SA209-26G | FN209 |
| 1-11/16 | 209-27 | | | | | | | | | | | | | 209-27G | |
| 1-3/4 | 209-28 | | | | | | | | | | | | | 209-28G | |