

3-BOLT DUCTILE IRON FLANGE UNITS

LIGHT DUTY INSERTS

SBFCT200-SERIES
SAFCT200-SERIES



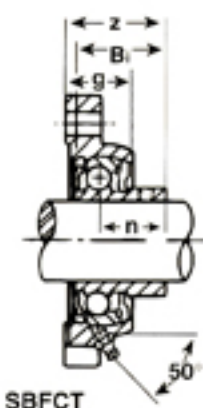
B type Seal



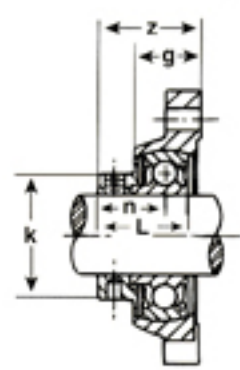
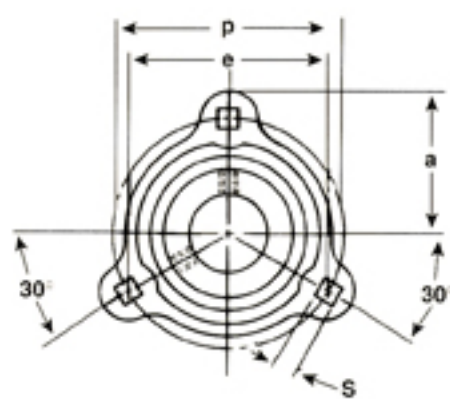
P type Seal



A type Seal



SBFCT



SAFCT

SBFCT200-SERIES SET SCREW TYPE

Shaft Dia. in.	SST Unit No.	Dimensions (in.)								Bolt Used in.	Bearing No.	Housing No.	Weight	
		a	p	e	g	Z	S	Bi	n				kg	lbs.
1/2	SBFCT201-8	1-19/32	2-1/2	2.165	11/16	1-1/64	9/32	0.8661	0.236	1/4	SB201-8 202-10	FCT203	0.21	0.46
5/8	202-10													
3/4	SBFCT204-12	1-25/32	2-13/16	2.436	25/32	1-9/64	11/32	0.9843	0.275	5/16	SB204-12	FCT204	0.32	0.71
7/8	SBFCT205-14													
15/16	205-15	1-7/8	3	2.598	25/32	1-11/64	11/32	1.0630	0.295	5/16	205-15 205-16	FCT205	0.37	0.82
1	205-16													
1-1/16	SBFCT206-17	2-7/32	3-9/16	3.085	7/8	1-11/32	13/32	1.1811	0.315	3/8	SB206-17 206-18 206-19 206-20	FCT206	0.33	0.73
1-1/8	206-18													
1-3/16	206-19													
1-1/4	206-20													
1-1/4	SBFCT207-20	2-13/32	3-15/16	3.410	15/16	1-7/16	13/32	1.2598	0.335	3/8	SB207-20 207-21 207-22 207-23	FCT207	0.71	1.57
1-5/16	207-21													
1-3/8	207-22													
1-7/16	207-23													

SAFCT200-SERIES ECCENTRIC LOCKING COLLAR TYPE

Shaft Dia. in.	SST Unit No.	Dimensions (in.)									Bolt Used in.	Bearing No.	Housing No.	Weight	
		a	p	e	g	Z	S	L	n	K				kg	lbs.
1/2	SAFCT201-8	1-19/31	2-1/2	2.165	11/16	1-1/4	9/32	1.125	0.256	1-1/8	1/4	SA201-8 202-10	FCT203	.26	.57
5/8	202-10														
3/4	SAFCT204-12	1-25/32	2-13/16	2.436	25/32	1-11/32	11/32	1.218	0.295	1-1/4	5/16	SA204-12	FCT204	.34	.75
7/8	205-14														
15/16	205-15	1-7/8	3	2.598	25/32	1-11/2	11/32	1.218	0.295	1-1/2	5/16	SA205-14 205-15 205-16	FCT205	.39	.86
1	205-16														
1-1/16	SAFCT206-17	2-7/32	3-9/16	3.085	7/8	1-17/32	13/32	1.406	0.354	1-3/4	3/8	SA206-17 206-18 206-19 206-20	FCT206	.61	1.35
1-1/8	206-18														
1-3/16	206-19														
1-1/4	206-20														
1-1/4	SAFCT207-20	2-13/32	3-15/16	3.410	15/16	1-21/32	13/32	1.531	0.374	2-3/16	3/8	SA207-20 207-21 207-22 207-23	FCT207	.82	1.81
1-5/16	207-21														
1-3/8	207-22														
1-7/16	207-23														

Note: To specify relubricatable units, add "G" suffix. (e.g., SBFCT205-16G).