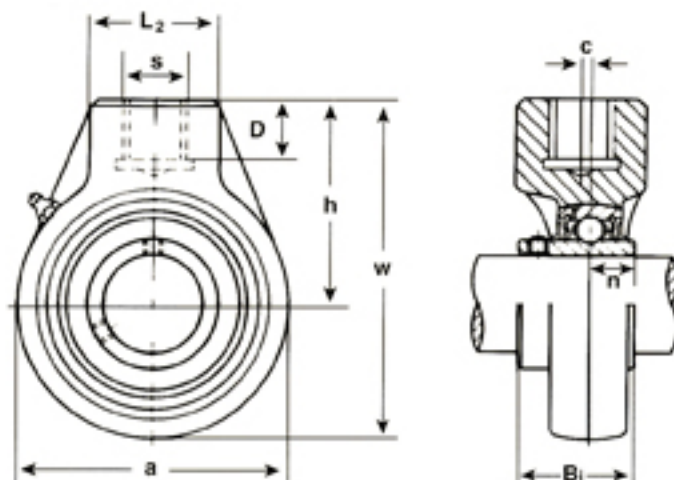
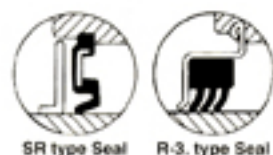


SCREW CONVEYOR HANGER UNITS

SET SCREW TYPE

UCSH200-SERIES



Shaft Dia. in.	SST Unit No.	Dimensions (in.)									Bearing No.	Housing No.	Weight		
		a	w	c	h	L ₂	D	s	Bi	n			kg	lbs.	
1/2	UCSH201-8										UC201-8				
5/8	202-10	2-17/32	3-25/32	0	2-33/64	1-9/16	3/4	PF 3/4	1.2205	0.5000	202-10	SH204	0.74	1.63	
3/4	204-12										204-12				
7/8	UCSH205-14										UC205-14				
15/16	205-15	3-1/16	4-1/16	0	2-33/64	1-9/16	3/4	PF 3/4	1.3366	0.5630	205-15	SH205	0.91	2.0	
1	205-16										205-16				
1-1/16	UCSH206-17										UC206-17				
1-1/8	206-18	3-1/16	4-1/16	0	2-33/64	1-9/16	3/4	PF 3/4	1.5000	0.6260	206-18	SH206	0.98	2.16	
1-3/16	206-19										206-19				
1-1/4	206-20										206-20				
1-1/4	UCSH207-20										UC207-20				
1-5/16	207-21	3-5/8	4-9/16	0	2-3/4	1-9/16	3/4	PF 3/4	1.6890	0.6890	207-21	SH207	1.21	2.67	
1-3/8	207-22										207-22				
1-7/16	207-23										207-23				
1-1/2	UCSH208-24										UC208-24				
1-9/16	208-25	3-25/32	4-3/4	5/64	2-7/8	1-9/16	3/4	PF 3/4	1.9370	0.7480	208-25	SH208	1.67	3.68	
1-5/8	UCSH209-26										UC209-26				
1-11/16	209-27	4-1/4	5-11/32	13/64	3-15/64	1-7/8	13/16	PF 3/4	1.9370	0.7480	209-27	SH209	2.08	4.59	
1-3/4	209-28										209-28				
1-7/8	UCSH210-30										UC210-30				
1-15/16	210-31	4-21/32	5-19/32	13/64	3-17/64	1-7/8	13/16	PF 3/4	2.0315	0.7460	210-31	SH210	2.49	5.49	