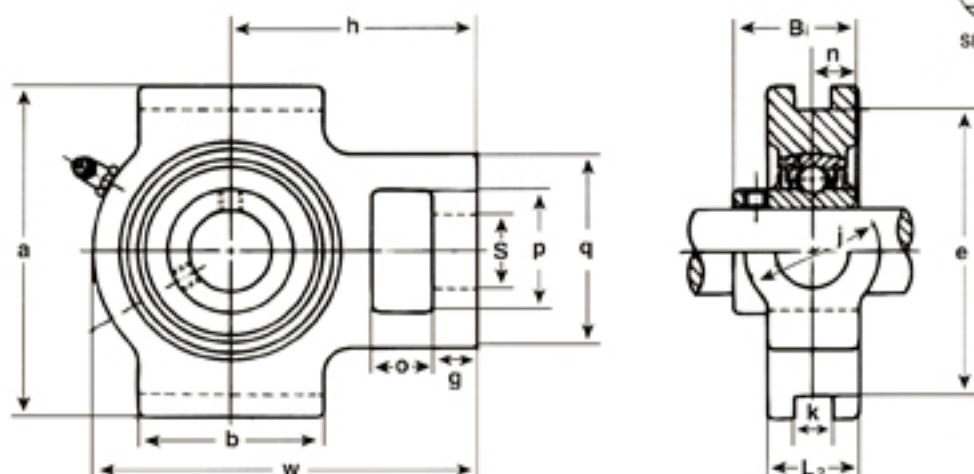
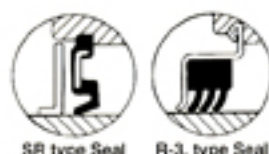


TAKE-UP UNITS

WIDE SLOT—SET SCREW TYPE

UCST200-SERIES



Shaft Dia. mm In.	SST Unit No.	Dimensions (in.)															Bearing No.	Housing No.	Weight	
		o	g	q	p	s	b	k	e	a	w	j	L ₂	h	Bi	n			kg	lbs.
12 15 17 20	1/2 UCST201-8	5/8	3/8	2	1-1/4	3/4	2	17/32	3	3-1/2	3-11/16	1-1/4	15/16	2-3/8	1.2205	0.5000	UC201-8	ST204	0.80	1.76
	5/8 202-10																UC201			
	3/4 204-12																202			
																	203			
																	204			
25	7/8 UCST205-14	5/8	3/8	2	1-1/4	7/8	2	17/32	3	3-1/2	3-13/16	1-1/4	15/16	2-7/16	1.3386	0.5630	UC205-14	ST205	0.86	1.90
	15/16 205-15																UC205			
	1 205-16																			
30	1-1/16 UCST206-17	5/8	3/8	2-3/16	1-7/16	7/8	2-1/4	17/32	3-1/2	4	4-7/16	1-7/16	15/16	2-3/4	1.5000	0.6260	UC206-17	ST206	1.28	2.82
	1-1/8 206-18																UC206			
	1-3/16 206-19																			
	1-1/4 206-20																			
35	1-1/4 UCST207-20	5/8	1/2	2-1/2	1-7/16	7/8	2-1/2	17/32	3-1/2	4	5-1/16	1-7/16	1-3/16	3-1/16	1.6890	0.6890	UC207-20	ST207	1.68	3.70
	1-5/16 207-21																UC207			
	1-3/8 207-22																			
	1-7/16 207-23																			
40	1-1/2 UCST208-24	3/4	5/8	3-1/4	1-15/16	1-1/8	3-1/4	11/16	4	4-1/2	5-11/16	1-15/16	1-3/8	3-1/2	1.9370	0.7480	UC208-24	ST208	2.42	5.34
	1-9/16 208-25																UC208			
45	1-5/8 UCST209-26	3/4	5/8	3-1/4	1-15/16	1-1/8	3-1/4	11/16	4	4-5/8	5-11/16	1-15/16	1-3/8	3-7/16	1.9370	0.7480	UC209-26	ST209	2.52	5.56
	1-11/16 209-27																UC209			
	1-3/4 209-28																			
50	1-7/8 UCST210-30	3/4	5/8	3-1/4	1-15/16	1-1/8	3-1/4	11/16	4	4-5/8	5-7/8	1-15/16	1-3/8	3-9/16	2.0315	0.7480	UC210-30	ST210	2.75	6.06
	1-15/16 210-31																UC210			
55	2 UCST211-32	1	3/4	4	2-1/2	1-3/8	3-3/4	1-1/16	5-1/8	5-3/4	6-3/4	2-1/2	1-5/8	4-3/16	2.1890	0.8740	UC211-32	ST211	4.10	9.04
	2-1/8 211-34																UC211			
	2-3/16 211-35																			
60	2-1/4 UCST212-36	1-1/4	3/4	4	2-1/2	1-3/8	4	1-1/16	5-1/8	5-3/4	7-5/8	2-1/2	1-13/16	4-11/16	2.5630	1.0000	UC212-36	ST212	5.20	11.5
	2-3/8 212-38																UC212			
	2-7/16 212-39																			
65	2-1/2 UCST213-40	1-1/4	13/16	4-3/8	2-3/4	1-5/8	4-3/4	1-1/16	5-15/16	6-9/16	8-13/16	2-3/4	2	5-3/8	2.5630	1.0000	UC213-40	ST213	7.05	15.5
	UCST213	UC213																		

Note: Narrow slot take-up housings can be tooled (e.g., UCSTN 205-16).