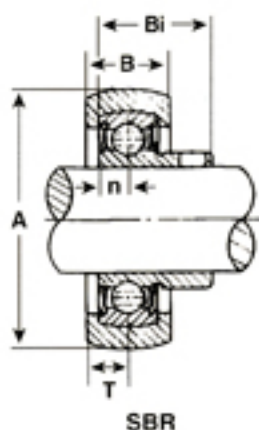


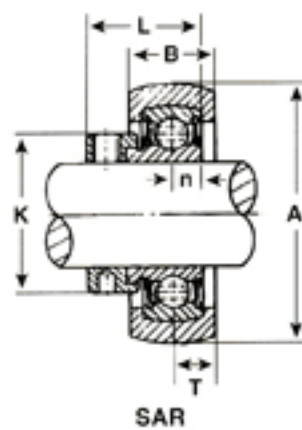
# RUBBER MOUNTED CARTRIDGE UNITS



SBR200-SERIES  
SAR200-SERIES



SBR



SAR

## SBR200-SERIES SET SCREW TYPE

Shaft Dia. in.	SST Unit No.	Dimensions (in.)						Bearing No.	Rubber Ring No.	Weight	
		A		B	Bi	n	T			kg	lbs.
		mm	fraction								
1/2	SBR201-8	47.6	1-7/8	11/16	0.8661	0.2362	11/32	SB201-8 202-10	R-4	.11	.24
5/8	202-10										
3/4	SBR204-12	52.4	2-1/16	11/16	0.9843	0.2756	11/32	SB204-12	R-5	.16	.35
7/8	SBR205-14										
15/16	205-15	62.4	2-29/64	25/32	1.0630	0.2953	13/32	SB205-14 205-15 205-16	R-6	.19	.42
1	205-16										
1-1/16	SBR206-17	72.4	2-27/32	13/16	1.1811	0.3150	13/32	SB206-17 206-18 206-19 206-20	R-7	.44	.97
1-1/8	206-18										
1-3/16	206-19										
1-1/4	206-20										

## SAR200-SERIES ECCENTRIC LOCKING COLLAR TYPE

Shaft Dia. in.	SST Unit No.	Dimensions (in.)							Bearing No.	Rubber Ring No.	Weight	
		A		B	L	n	T	K			kg	lbs.
		mm	fraction									
1/2	SAR201-8	47.6	1-7/8	11/16	1.1260	0.2362	11/32	1-1/8	SA201-8 202-10	R-4	.16	.35
5/8	202-10											
3/4	SAR204-12	52.4	2-1/16	11/16	1.2205	0.2756	11/32	1-1/4	SA204-12	R-5	.17	.37
7/8	SAR205-14											
15/16	205-15	62.4	2-29/64	25/32	1.2205	0.2953	13/32	1-1/2	SA205-14 205-15 205-16	R-6	.22	.49
1	205-16											
1-1/16	SAR206-17	72.4	2-27/32	13/16	1.4055	0.3150	13/32	1-3/4	SA206-17 206-18 206-19 206-20	R-7	.36	.79
1-1/8	206-18											
1-3/16	206-19											
1-1/4	206-20											