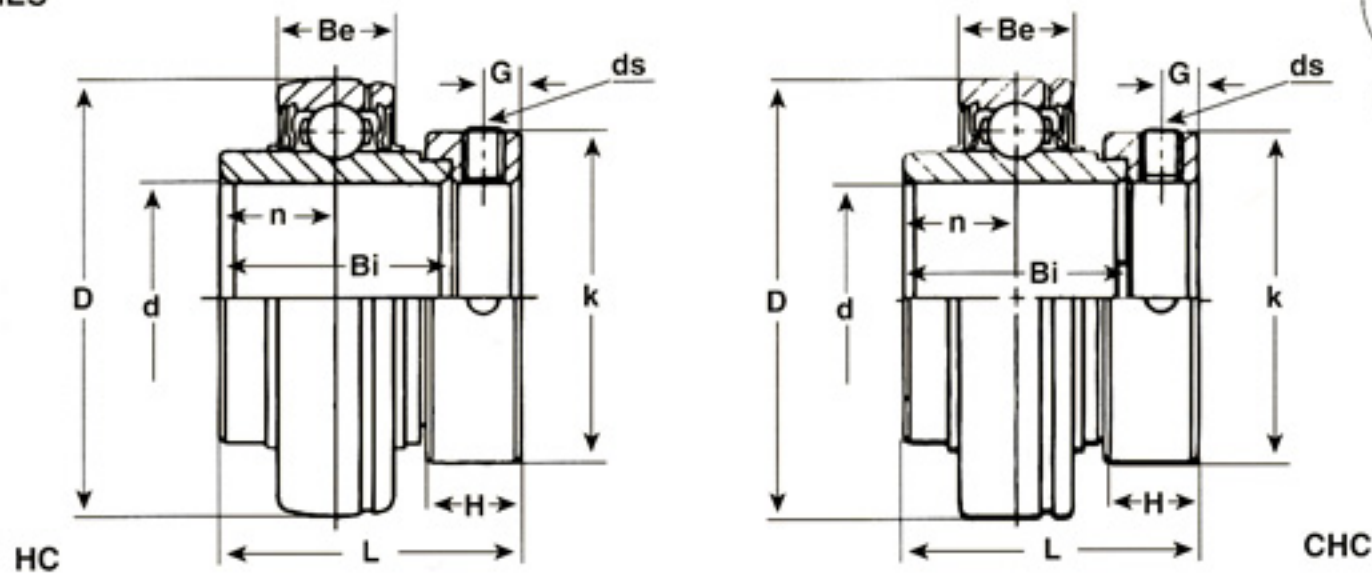


HC200-SERIES  
CHC200-SERIES



Shaft Dia. d		SST Bearing No.	Dimensions (in./mm)									Set Screw ds	Load Rating lb.		Weight	
mm	in.		D	L	Bi	Be	r	n	k	H	G		Dynamic	Static	kg	lbs.
20	1/2	HC201-8										1/4-28	2880	1484	.23	.50
	5/8	HC202-10	1.8504	1.720	1.342	0.629	0.059	0.673	1.260	0.531	0.188				.23	.50
	3/4	HC204-12	47	43.7	34.1	16	1.5	17.1	32	13.5	4.8				0.20	0.44
		HC204													0.19	0.42
25	7/8	HC205-14										1/4-28	3152	1765	0.26	0.57
	15/16	205-15	2.0472	1.748	1.374	0.669	0.059	0.688	1.500	0.531	0.188				0.24	0.53
	1	205-16	52	44.4	34.9	17	1.5	17.5	38.1	13.5	4.8				0.21	0.46
		HC205													0.22	0.49
30	1-1/16	HC206-17										5/16-24	4375	2542	0.42	0.93
	1-1/8	206-18	2.4409	1.905	1.437	0.748	0.059	0.720	1.748	0.625	0.234				0.40	0.88
	1-3/16	206-19	62	48.4	36.5	19	1.5	18.3	44.4	15.9	6				0.37	0.82
	1-1/4	206-20													0.35	0.77
		HC206												0.37	0.82	
35	1-1/4	HC207-20										5/16-24	5777	3459	0.64	1.41
	1-5/16	207-21	2.8346	2.016	1.484	0.787	0.079	0.742	2.188	0.688	0.266				0.61	1.35
	1-3/8	207-22	72	51.2	37.7	20	2	18.8	55.6	17.5	6.8				0.58	1.28
	1-7/16	207-23													0.54	1.19
		HC207												0.58	1.28	
40	1-1/2	HC208-24	3.1496	2.220	1.689	0.862	0.079	0.844	2.377	0.719	0.266	5/16-24	5787	4042	0.81	1.79
	1-9/16	208-25	80	56.4	42.9	21	2	21.4	60.3	18.3	6.8				0.77	1.70
		HC208												0.76	1.68	
45	1-5/8	HC209-26										5/16-24	7357	4598	0.92	2.03
	1-11/16	209-27	3.3465	2.220	1.689	0.866	0.079	0.844	2.499	0.719	0.266				0.87	1.92
	1-3/4	209-28	85	56.4	42.9	22	2	21.4	63.5	18.3	6.8				0.81	1.79
		HC209												0.81	1.79	
50	1-7/8	HC210-30	3.5433	2.468	1.937	0.866	0.079	0.969	2.751	0.719	0.266	5/16-24	7895	5180	1.06	2.34
	1-15/16	210-31	90	62.7	49.2	22	2	24.6	69.8	18.3	6.8				1.00	2.21
		HC210												0.97	2.14	
55	2	HC211-32										3/8-24	9757	6552	1.56	3.44
	2-1/8	211-34	3.9370	2.814	2.189	0.944	0.098	1.091	2.999	0.813	0.313				1.49	3.29
	2-3/16	211-35	100	71.4	55.6	24	2.5	27.7	76.2	20.6	8				1.34	2.95
		HC211												1.37	3.02	
60	2-1/4	HC212-36										3/8-24	11798	8093	2.03	4.48
	2-3/8	212-38	4.3307	3.062	2.437	1.023	0.098	1.219	3.312	0.875	0.313				1.86	4.10
	2-7/16	212-39	110	77.8	61.9	27	2.5	31	84.1	22.2	8				1.77	3.90
		HC212												1.87	4.12	
	2-15/16	HC215-47	5.1181	3.374	2.937	1.1811	0.098	1.469	4.016	0.925	0.335	3/8-24	15149	10897	2.75	6.07
	3	HC215-48	130	85.7	74.6	30	2.5	37.3	102	23.5	8.5				2.68	5.90