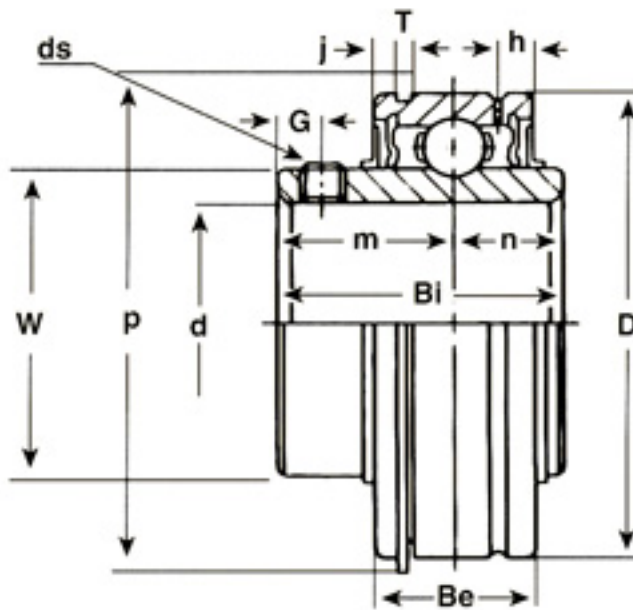




SR type Seal



Shaft Dia. in.	SST Bearing No.	Dimensions (in.) (mm)												Load Rating lb.		Weight													
		D	Bi	Be	n	m	G	T	h	j	p	ds	w	Dynamic	Static	kg	lbs.												
1/2	SER201-8	1.8504	1.219	0.625	0.406	0.813	0.177	0.042	0.150	0.094	2.067	1/4-28	1.142	2880	1484	0.26	0.57												
5/8	202-10	47	31	15.9	10.3	20.7	4.5	1.1	3.8	2.3	52.5		29			0.24	0.53												
3/4	204-12															0.22	0.49												
7/8	SER205-14	2.0472	1.375	0.750	0.515	0.860	0.197	0.042	0.203	0.094	2.272	1/4-28	1.339	3152	1765	0.31	0.68												
15/16	205-15	52	34.9	19	13.1	21.8	5	1.1	5.1	2.3	57.7		34			0.30	0.66												
1	205-16															0.28	0.62												
1-1/16	SER206-17	2.4409	1.500	0.875	0.625	0.875	0.197	0.065	0.219	0.125	2.658	1/4-28	1.591	4375	2542	0.42	0.93												
1-1/8	206-18															62	38.1	22.2	15.8	22.2	5	1.6	5.6	3.2	67.5	40.4	0.40	0.88	
1-3/16	206-19																											0.38	0.84
1-1/4	206-20																											0.36	0.79
1-1/4	SER207-20	2.8346	1.688	0.937	0.688	1.000	0.236	0.065	0.219	0.125	3.078	5/16-24	1.866	5777	3459	0.62	1.37												
1-5/16	207-21															72	42.8	23.8	17.5	25.4	6	1.6	5.6	3.2	78.2	47.4	0.59	1.30	
1-3/8	207-22																											0.56	1.23
1-7/16	207-23																											0.53	1.17
1-1/2	SER208-24	3.1496	1.937	1.093	0.750	1.187	0.315	0.065	0.250	0.125	3.406	5/16-24	2.075	5787	4042	0.91	2.01												
1-9/16	208-25	80	49.2	27.8	19	30.1	8	1.6	6.4	3.2	86.5		52.7			0.88	1.94												
1-5/8	SER209-26	3.3465	1.937	1.093	0.750	1.187	0.315	0.065	0.250	0.125	3.594	5/16-24	2.248	7357	4598	1.05	2.32												
1-11/16	209-27															85	49.2	27.8	19	30.1	8	1.6	6.3	3.2	91.3	57.1	1.00	2.21	
1-3/4	209-28																											0.97	2.14
1-7/8	SER210-30	3.5433	2.032	1.125	0.750	1.282	0.354	0.095	0.297	0.125	3.781	3/8-24	2.465	7895	5180	1.10	2.43												
1-15/16	210-31	90	51.6	28.6	19.1	32.6	9	2.4	7.5	3.2	96		62.6			1.05	2.32												
2	SER211-32	3.9370	2.189	1.187	0.875	1.314	0.354	0.095	0.297	0.125	4.187	3/8-24	2.776	9757	6552	1.36	3.00												
2-1/8	211-34															100	55.6	30.1	22.2	33.3	9	2.4	7.5	3.2	106.3	70.5	1.25	2.76	
2-3/16	211-35																											1.19	2.62
2-1/4	SER212-36	4.3307	2.563	1.250	1.000	1.563	0.394	0.095	0.297	0.125	4.583	3/8-24	3.059	11798	8093	1.82	4.01												
2-3/8	212-38															110	65.1	31.7	25.4	39.7	10	2.4	7.5	3.2	116.4	77.7	1.67	3.68	
2-7/16	212-39																											1.59	3.51

Metric bore sizes available upon request.