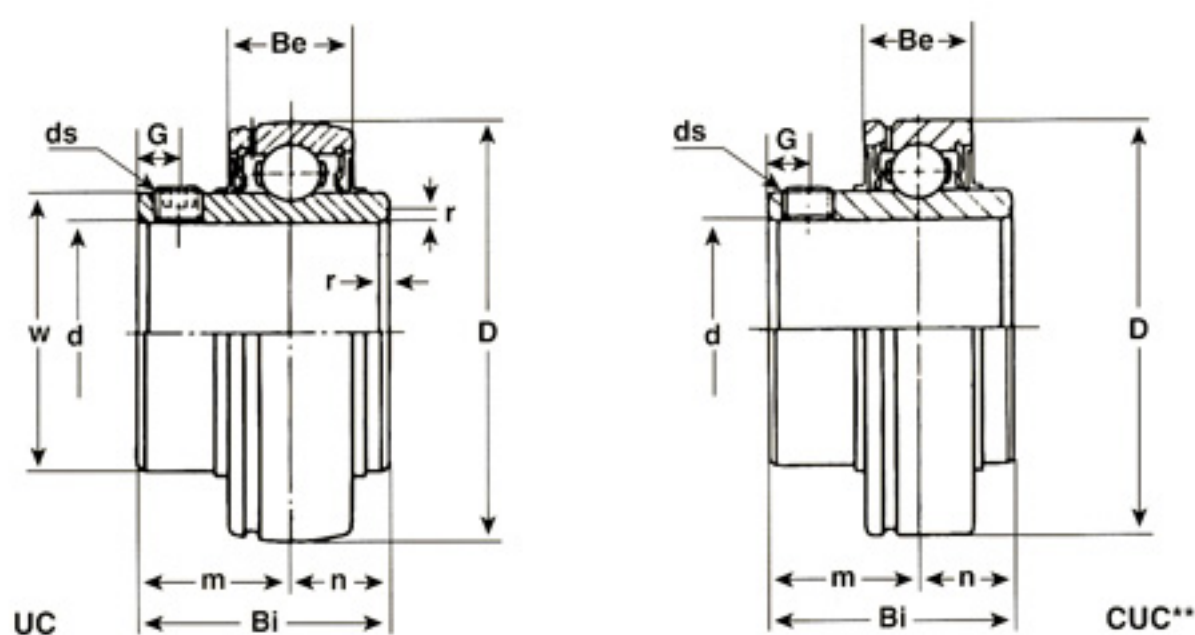


UC200-SERIES
CUC200-SERIES



Shaft Dia. d		SST Bearing No.	Dimensions (in.) (mm)									Load Rating lb.		Weight	
mm	in.		D	Bi	Be	r	n	m	G	ds	w	Dynamic	Static	kg	lbs.
12	1/2	UC201-8	1.8504 47	1.2205 31.0	0.629 16	0.039 1	0.500 12.7	0.7205 18.3	0.177 4.5	#10-32	1.142	2880	1484	0.20	0.44
	5/8	202-10												0.19	0.42
	3/4	204-12												0.16	0.35
		UC201												0.21	0.46
		202												0.19	0.42
15		203	0.18	0.40											
17		204	0.16	0.35											
25	7/8	UC205-14	2.0472 52	1.3386 34.0	0.669 17	0.059 1.5	0.563 14.3	0.7756 19.7	0.197 5	#10-32	1.339	3152	1765	0.22	0.49
	15/16	205-15												0.20	0.44
	1	205-16												0.19	0.42
		UC205												0.19	0.42
30	1-1/16	UC206-17	2.4409 62	1.500 38.1	0.748 19	0.059 1.5	0.626 15.9	0.8740 22.2	0.197 5	1/4-28 **	1.591	4375	2542	0.36	0.79
	1-1/8	206-18												0.34	0.75
	1-3/16	206-19												0.32	0.71
	1-1/4	206-20												0.31	0.66
		UC206												0.31	0.66
35	1-1/4	UC207-20	2.8346 72	1.6890 42.9	0.787 20	0.079 2	0.689 17.5	1.0000 25.4	0.236 6	1/4-28 **	1.866	5777	3459	0.52	1.15
	1-5/16	207-21												0.50	1.10
	1-3/8	207-22												0.48	1.06
	1-7/16	207-23												0.46	1.01
		UC207												0.46	1.01
40	1-1/2	UC208-24	3.1496 80	1.9370 49.2	0.827 21	0.079 2	0.748 19.0	1.1890 30.2	0.315 8	5/16-24	2.075	5787	4042	0.68	1.50
	1-9/16	208-25												0.64	1.41
		UC208												0.63	1.39
45	1-5/8	UC209-26	3.3465 85	1.9370 49.2	0.866 22	0.079 2	0.748 19.0	1.1890 30.2	0.315 8	5/16-24	2.248	7357	4598	0.78	1.72
	1-11/16	209-27												0.74	1.63
	1-3/4	209-28												0.70	1.54
50	1-7/8	UC210-30	3.5433 90	2.0315 51.6	0.9055 23	0.079 2	0.748 19.0	1.2835 32.6	0.354 9	5/16-24	2.465	7895	5180	0.85	1.87
	1-15/16	210-31												0.80	1.76
		UC210												0.78	1.72
55	2	UC211-32	3.9370 100	2.1890 55.6	0.944 24	0.098 2.5	0.874 22.2	1.3150 33.4	0.354 9	5/16-24	2.776	9757	6552	1.22	2.69
	2-1/8	211-34												1.10	2.43
	2-3/16	211-35												1.05	2.32
		UC211												1.07	2.36
60	2-1/4	UC212-36	4.3307 110	2.5630 65.1	1.024 26	0.098 2.5	1.000 25.4	1.5630 39.7	0.394 10	3/8-24	3.059	11798	8093	1.65	3.64
	2-3/8	212-38												1.49	3.29
	2-7/16	212-39												1.42	3.13
65	2-1/2	UC213-40	4.7244 120	2.5630 65.1	1.063 27	0.098 2.5	1.000 25.4	1.5630 39.7	0.394 10	3/8-24	3.260	12880	8917	1.88	4.15
		UC213												1.80	3.97
	2-3/4	UC214-44												2.07	4.56
70		UC214	4.9213	2.9370	1.142	0.098	1.189	1.7480	0.472	3/8-24	3.425	13656	9974	2.06	4.54
		UC214	125	74.6	29	2.5	30.2	44.4	12					2.07	4.56
75	2-15/16	UC215-47	5.1181 130	3.0630 77.8	1.181 30	0.098 2.5	1.311 33.3	1.7520 44.5	0.472 12	3/8-24	3.598	15149	10697	2.21	4.87
	3	215-48												2.11	4.65
		UC215												2.19	4.83

**Note: CUC series is not generally stocked. Refer to SER series.

*1/4-28 set screws can be furnished upon request.

**5/16-24 set screws can be furnished upon request.