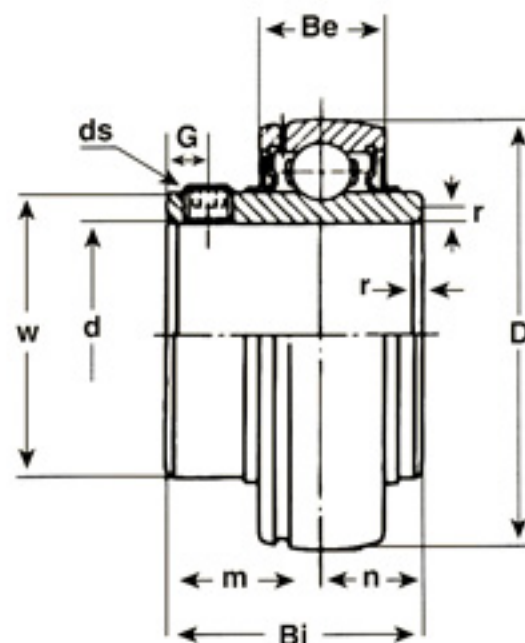
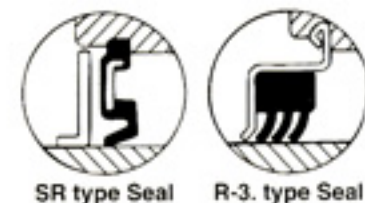


UCX00-SERIES



Shaft Dia. in.	SST Bearing No.	Dimensions (in.) (mm)									Load Rating lb.		Weight	
		D	Bi	Be	r	n	m	G	ds	w	Dynamic	Static	kg	lbs.
7/8 15/16 1	UCX05-14 05-15 05-16	2.4409 62	1.500 38.1	0.748 19	0.059 1.5	0.626 15.9	0.874 22.2	0.197 5	1/4-28	1.591	4380	2559	0.37	0.82
1-1/8 1-3/16 1-1/4	UCX06-18 06-19 06-20	2.8346 72	1.689 42.9	0.787 20	0.059 1.5	0.689 17.5	1.000 25.4	0.236 6	5/16-24	1.866	5781	3483	0.47	1.04
1-1/4 1-5/16 1-3/8 1-7/16	UCX07-20 07-21 07-22 07-23	3.1496 80	1.937 49.2	0.827 21	0.079 2	0.748 19	1.189 30.2	0.315 8	5/16-24	2.075	6558	4043	0.76	1.68
1-1/2 1-9/16	UCX08-24 08-25	3.3465 85	1.937 49.2	0.866 22	0.079 2	0.748 19	1.189 30.2	0.315 8	5/16-24	2.248	7365	4599	0.81	1.79
1-5/8 1-11/16 1-3/4	UCX09-26 09-27 09-28	3.5433 90	2.031 51.6	0.866 22	0.079 2	0.748 19	1.283 32.6	0.354 9	3/8-24	2.465	7895	5178	0.92	1.03
1-7/8 1-15/16 2	UCX10-30 10-31 10-32	3.9370 100	2.189 55.6	0.944 24	0.079 2	0.874 22.2	1.315 33.4	0.354 9	3/8-24	2.776	9759	6552	1.23	2.71
2-1/8 2-3/16 2-1/4	UCX11-34 11-35 11-36	4.3307 110	2.563 65.1	1.024 26	0.098 2.5	1.000 25.4	1.563 39.7	0.394 10	3/8-24	3.059	11798	8093	1.74	3.84
2-3/8 2-7/16	UCX12-38 12-39	4.7244 120	2.563 65.1	1.063 27	0.098 2.5	1.000 25.4	1.563 39.7	0.394 10	3/8-24	3.260	12880	8917	2.03	4.48
2-1/2	UCX13-40	4.9213 125	2.937 74.6	1.142 29	0.098 2.5	1.189 30.2	1.748 44.4	0.472 12	7/16-20	3.425	13984	10031	2.33	5.14
2-3/4	UCX14-44	5.1181 130	3.063 77.8	1.181 30	0.098 2.5	1.311 33.3	1.752 44.5	0.472 12	7/16-20	3.598	14839	11224	2.54	5.6
2-15/16 3	UCX15-47 15-48	5.5118 140	3.252 82.6	1.260 32	0.098 2.5	1.311 33.3	1.941 49.3	0.472 12	7/16-20	3.878	17412	13174	3.20	7.06

Metric bore sizes available upon request.